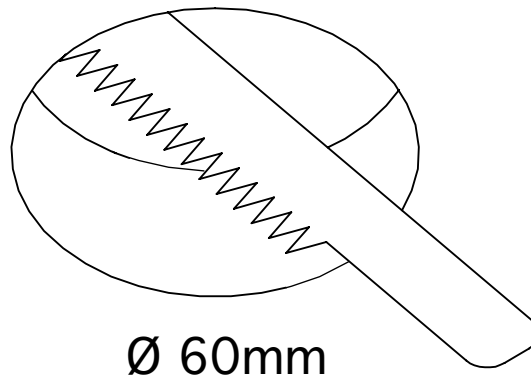


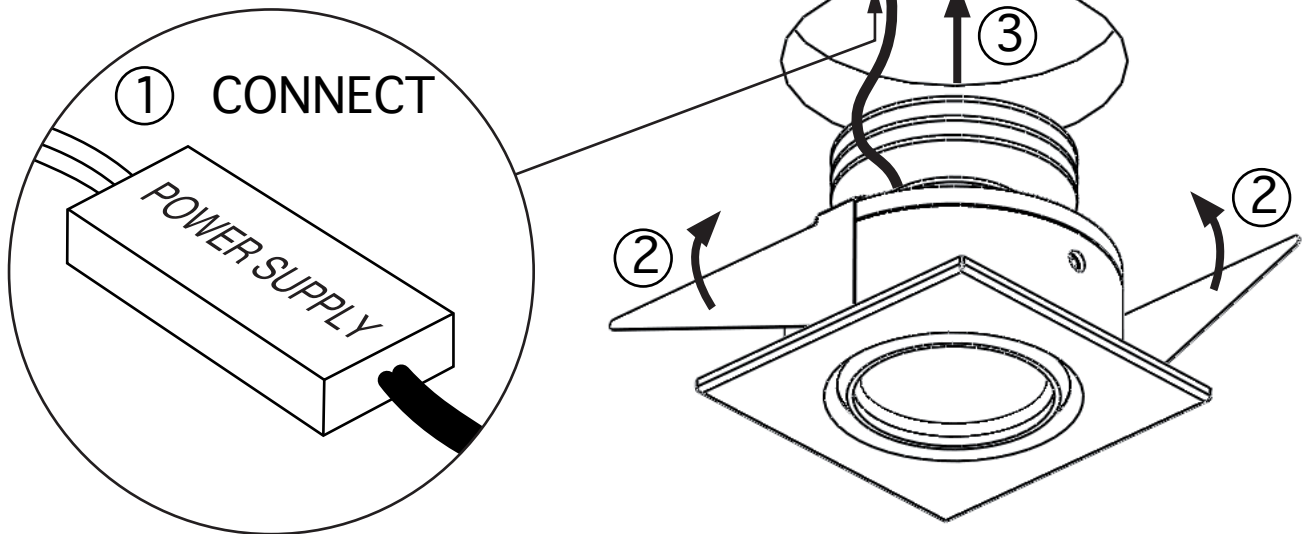
# IN010-CO

## INSTALLATION

1/



2/



3/

