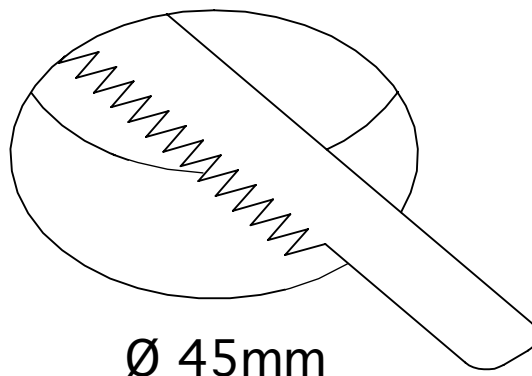
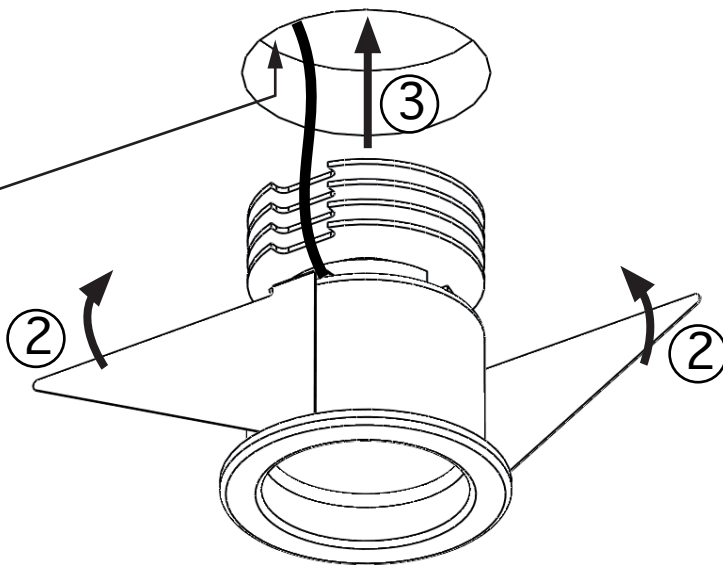
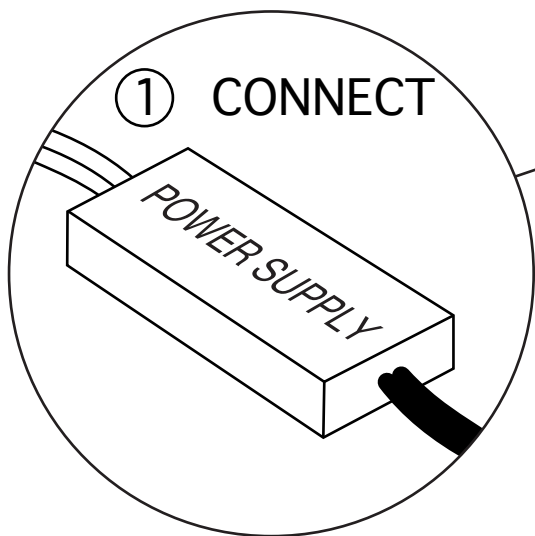


IN010-RF INSTALLATION

1/



2/



3/

