

# Insert 00 - Round adjustable 500

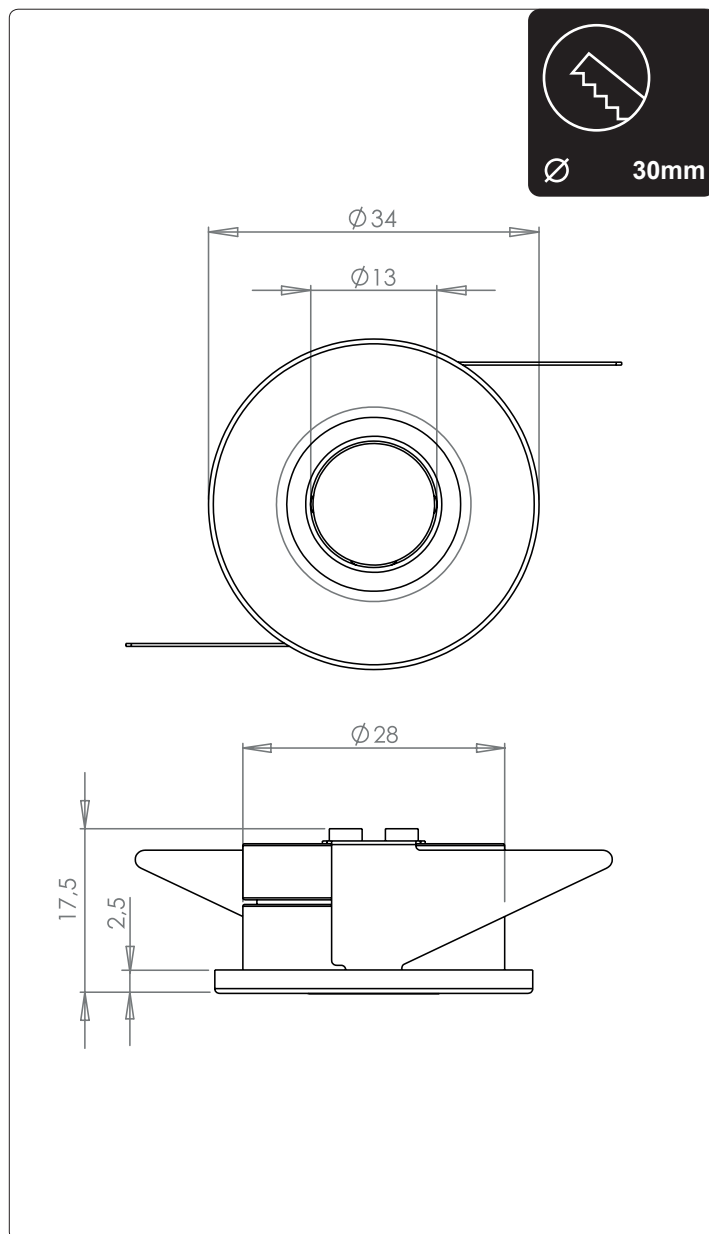
REF : IN000-R5

RECESSED EN



## ↓ PRODUCT DESCRIPTION

This round mini recessed LED is specifically designed for precision and accent lighting. It combines high-quality lighting with efficiency and reliability. Its excellent performance and sleek, miniaturized design make it very easy to fit in shop windows, display units, and small spaces.



## ↓ OUTPUT

1,5W

## ↓ LUMENS

150lm

## ↓ CRI

IRC90

## ↓ POWER SUPPLY

500mA

## ↓ DIMMING



DMX

CASAMBI

## ↓ DEGREES

16°

24°

40°

ELL

## ↓ IP RATING

IP 40

## ↓ USE



## ↓ COLOUR TEMPERATURE

2400K

2700K

3000K

3500K

4000K

5000K

## ↓ STANDARDS COMPLIANCE

EN 62471

EN 60598-1

EN 60598-2

CE

III

ETL

## ↓ COLOURS

BK

WH

AL

CUSTOM

# Insert 00 - Round adjustable 500

REF : IN000-R5

RECESSED EN

## ↓ SOURCES

- Luminous flux according to Bining: 150 lumens;
- Colour temperature: 2400K to 5000K;
- Service Range : 70 % of nominal flux after 25 000 hours;
- Colour Rendering Index : CRI 80 or CRI 90.

## ↓ OPTICAL CHARACTERISTICS

- PMMA acrylic lens, efficiency ~90 %;
- Available degrees : 16°, 24°, 40° & Elliptic.

## ↓ ELECTRICAL CHARACTERISTICS

- Constant current supply: 500mA;
- Supply connection: Polarised output connectors;
- Power consumption to 1.5W max, excluding supply;
- Electrical Classification: Class III SELV device.

## ↓ MECHANICAL CHARACTERISTICS

- Dimensions: Diameter 34 mm, Overall Height 17.5 mm;
- Weight: 33 gr;
- Adjustable to a total angle of 40°;
- Operating temperature: -5° +40°;
- ROHS components;
- Interior use only.

## ↓ SPECIFICITIES

- Electrolytic treatment available;
- 3 years guarantee.

## ↓ CLASSIFICATION

Product Ref.	IN000			
Specification	R5			
Colour	Black			BK
	White			WH
	Aluminium			AL
	Chromium			CU
	Gold			CU
	RAL			CU
Colour temperature	2400K			24
	2700K			27
	3000K			30
	3500K			35
	4000K			40
	5000K			50
Degrees	16°			16
	24°			24
	40°			40
	Elliptique			EL
REFERENCE	IN000 - R5 - BK - 24 - 16			

## ACCESSORIES

---

### ↓ CONNECTORS POWER SUPPLY IN 24V

---



**ACSC000COCIRCPXX500**

Piccolo circuit with sheath  
heat-shrinkable for INSERT 00-500