

Insert 10 - Square Fixed

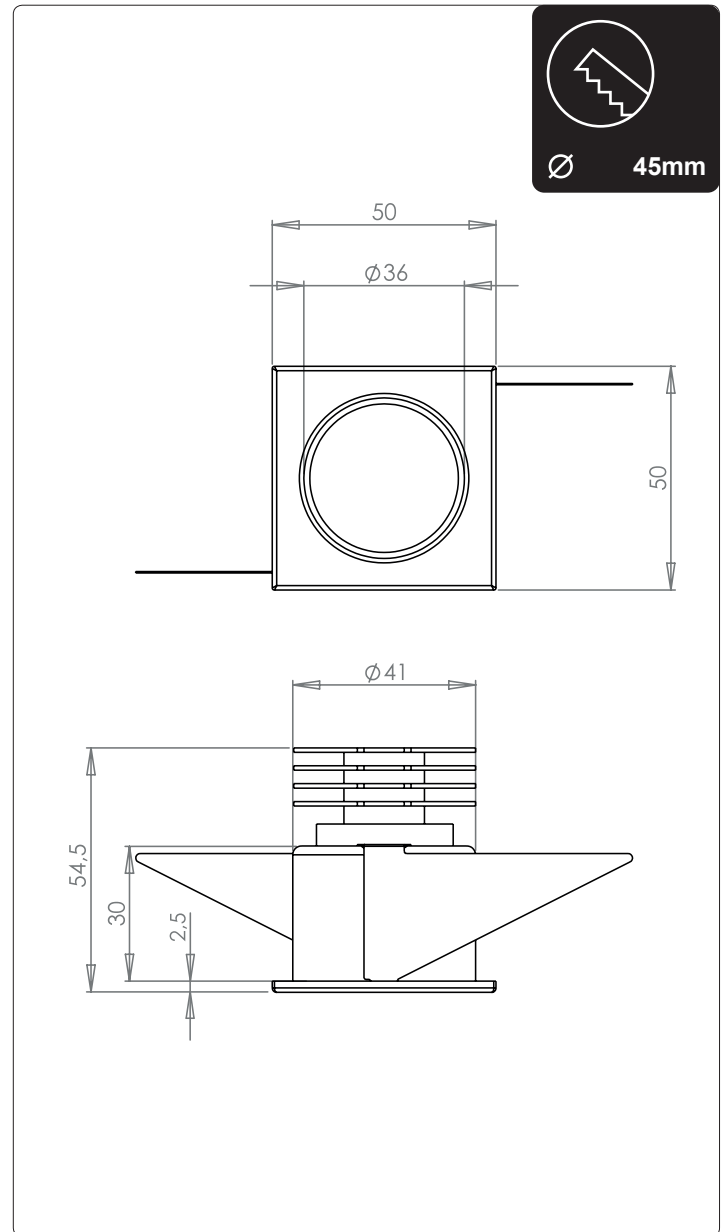
REF: IN010-CF

RECESSED EN



↓ PRODUCT DESCRIPTION

This square recessed LED ceiling light is suitable for all general, accent and ambient lighting requirements indoors. Its sleek design and small size make it easy to fit to a ceiling, and it has multiple configurations depending on the required colour temperature, beam size, and finish.



↓ OUTPUT

8W

↓ LUMENS

800lm

↓ CRI

IRC90

↓ POWER SUPPLY

0,7A

↓ DIMMING

1-10V



DMX

CASAMBI

↓ DEGREES

15°

25°

40°

ELL

↓ IP RATING

IP 40

↓ USE



↓ COLOUR TEMPERATURE

2700K

3000K

3500K

4000K

↓ STANDARDS COMPLIANCE

EN 62471

EN 60598-1

EN 60598-2

CE



↓ COLOURS

BK

WH

CUSTOM

Insert 10 - Square Fixed

REF: IN010-CF

RECESSED EN

↓ SOURCES

- Luminous flux according to Bining: 800 lumens;
- Colour temperature: 2700K to 4000K (2 at 3 Macadam step);
- Service Range: 70 % of nominal flux after 50 000 hours;
- Colour Rendering Index: CRI 90.

↓ OPTIQUES

- PMMA acrylic lens, efficiency ~90 %;
- Available degrees: 15°, 25°, 40° et ELL.

↓ ELECTRICAL CHARACTERISTICS

- Constant current supply: 0,7A;
- Supply connection: Polarised output connectors;
- Power consumption to 8W max, excluding supply;
- Electrical Classification: Class III SELV device.

↓ MECHANICAL CHARACTERISTICS

- Dimensions: Length & width 50 mm, Overall Height 54.5 mm;
- Operating temperature: -5° +40°;
- ROHS components;
- Interior use only.

↓ SPECIFICITIES

- Electrolytic treatment available;
- 3 years guarantee.

↓ CLASSIFICATION

Product Ref.	IN010			
Specification	CF			
Colour	Black		BK	
	White		WH	
	Aluminium		AL	
	Chromium		CU	
	Gold		CU	
	RAL		CU	
Colour temperature	2700K			27
	3000K			30
	3500K			35
	4000K			40
Degrees	15°			15
	25°			25
	40°			40
	ELL			ELL
REFERENCE	IN010 - CF - BK - 27 - 15			

Insert 10 - Square fixed

ACCESSORIES

REF: IN010-CF

RECESSED

EN

↓ CONNECTORS POWER SUPPLY IN 24V



ACIN010COCIRCPXXMKR
Piccolo circuit with sheath
heat-shrinkable for INSERT 10