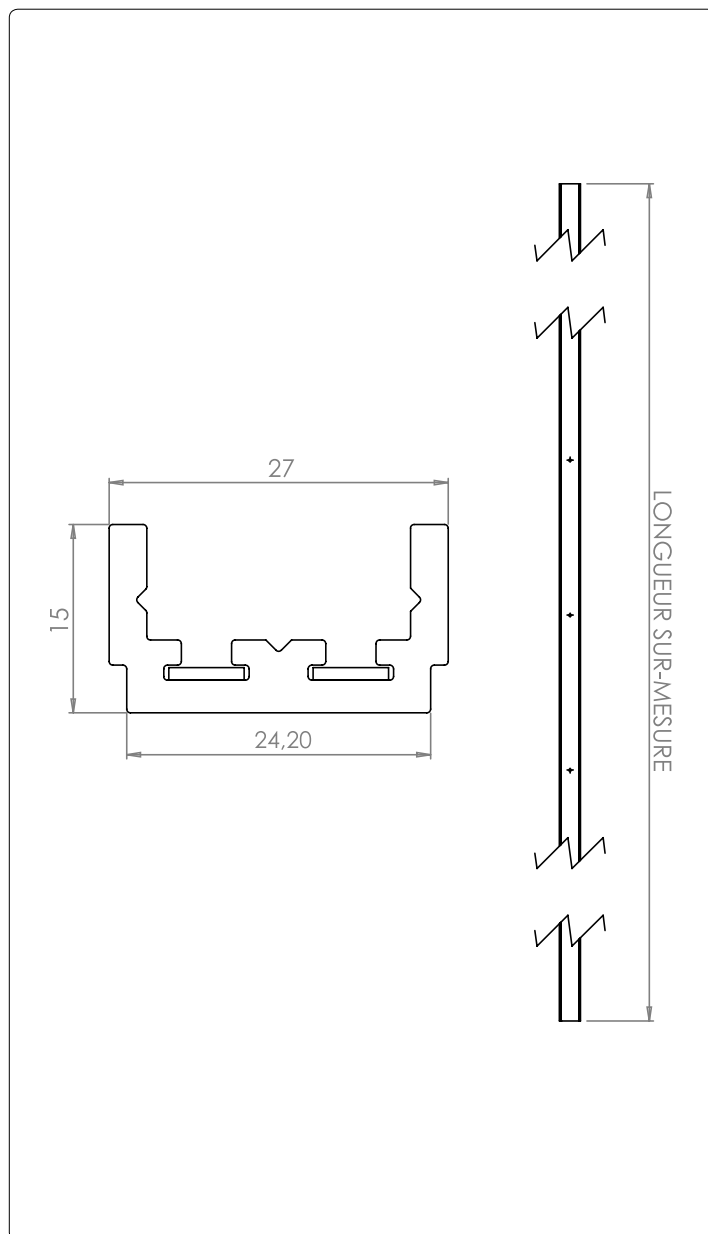




↓ PRODUCT DESCRIPTION

Piccolo is a 24V rail, a profile suitable for countless situations, in which lights can be moved or pointed in different directions. The magnetic system is particularly attractive for all architectural cases.



↓ ELECTRICITY

- Track power supply box by magnetic connection and output wires.
- Maximum capacity of circuit equipped light sources with 2 meters track : 150W max.

↓ MECHANICAL

- 27 x 15 mm U profile, fireproof polycarbonate.
- Track is attached by D3 countersunk screws.
- Lighting sources are attached to the track by magnetic contact.
- Operating temperature: -5° +40°;
- Interior use only

↓ SPECIFICITIES

- Customized size,
- Optional protective cover to conceal track segments not in use.
- 3 years guarantee

↓ COLORS

BK

WH

Piccolo track

ACCESSORIES

REF : RA001-A

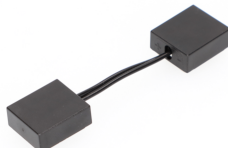
TRACKS

EN

↓ CONNECTORS POWER SUPPLY (MAGNETIC)



ACRA001COBALIMBK*200
Power supply Piccolo track with
200cm of cable
Black (BK) ou White (WH)



ACRA001COJONCTBK*005
2 junction boxes
Piccolo track
Black (BK) ou White (WH)



ACRA002INGP4010C
Injector piccolo DIM

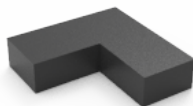
↓ FIXATION/FINITION



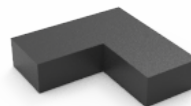
ACRA001FIEMBOUBK*XXX
Cap Piccolo track
Black (BK) ou White (WH)



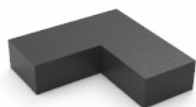
ACRA001FICAPOT
Cover Piccolo track Black



ACRA001FIJONCT90DC**
Junction cap 90°
Without electrical connection



ACRA001COJONCT90DC**
Junction cap 90°
With electrical connection



ACRA01COAL90D200C**
Junction cap 90°
With power input