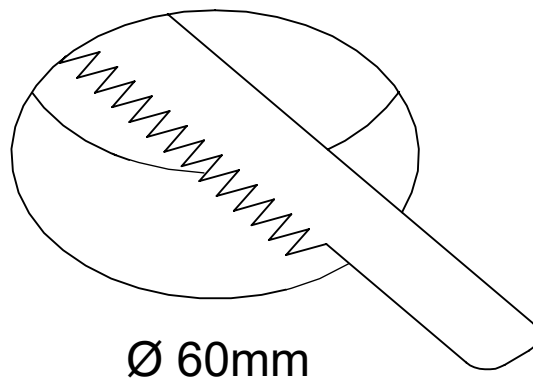


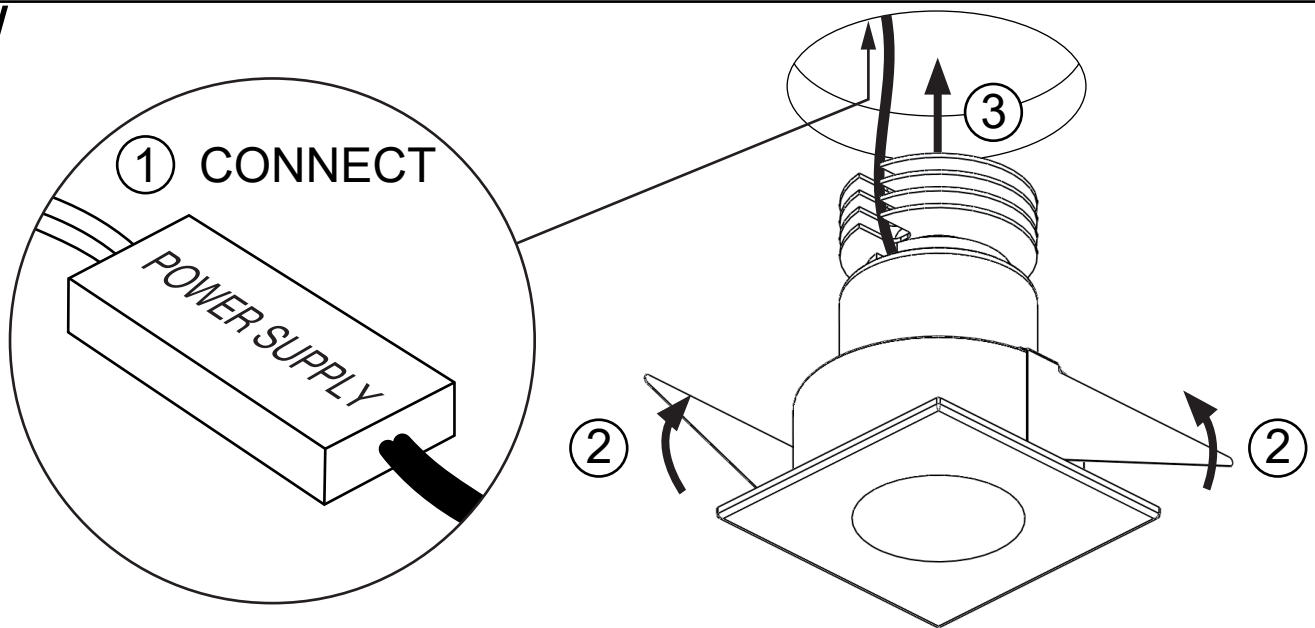
IBL10-CF

INSTALLATION

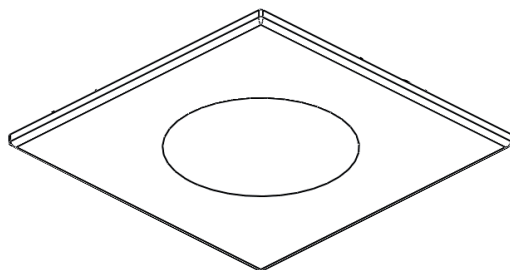
1/



2/



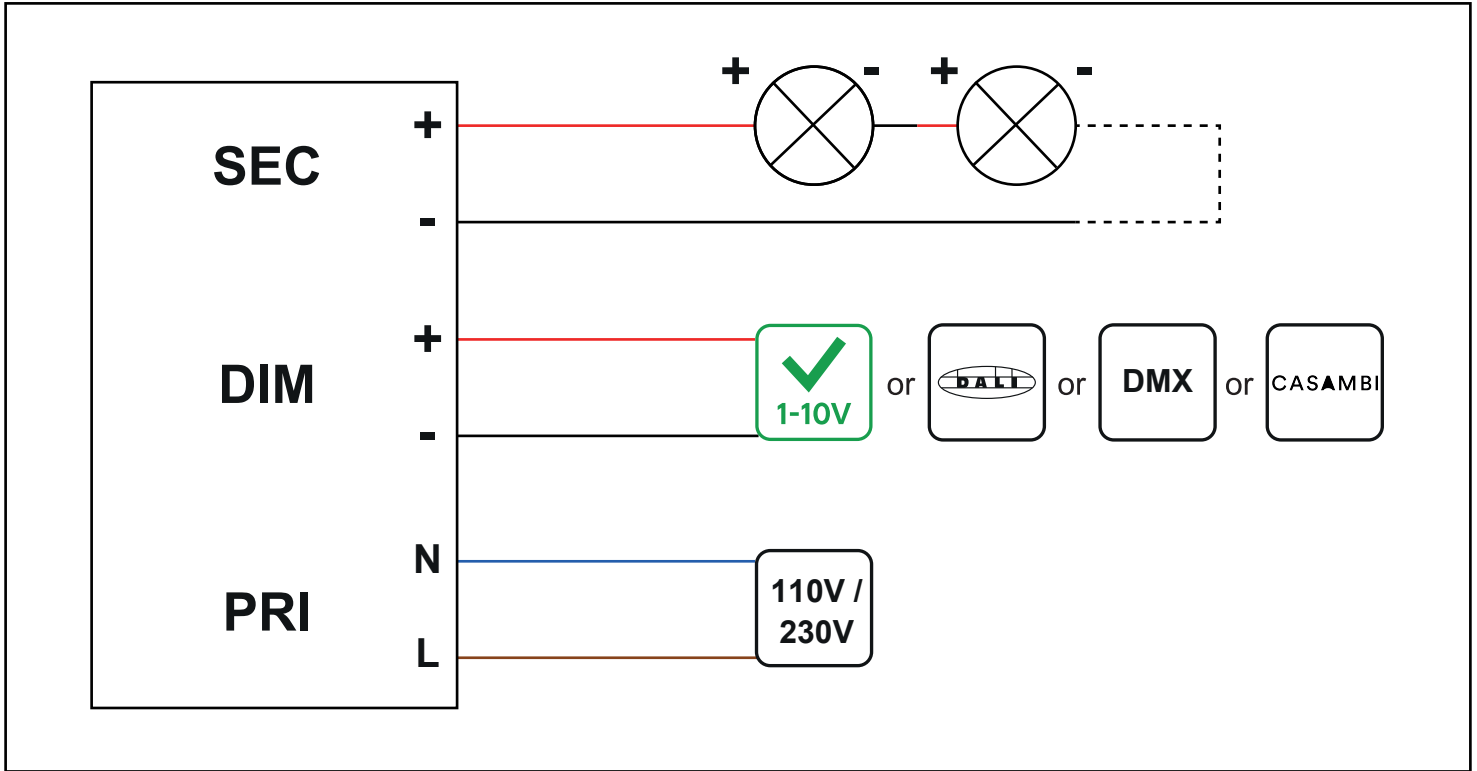
3/



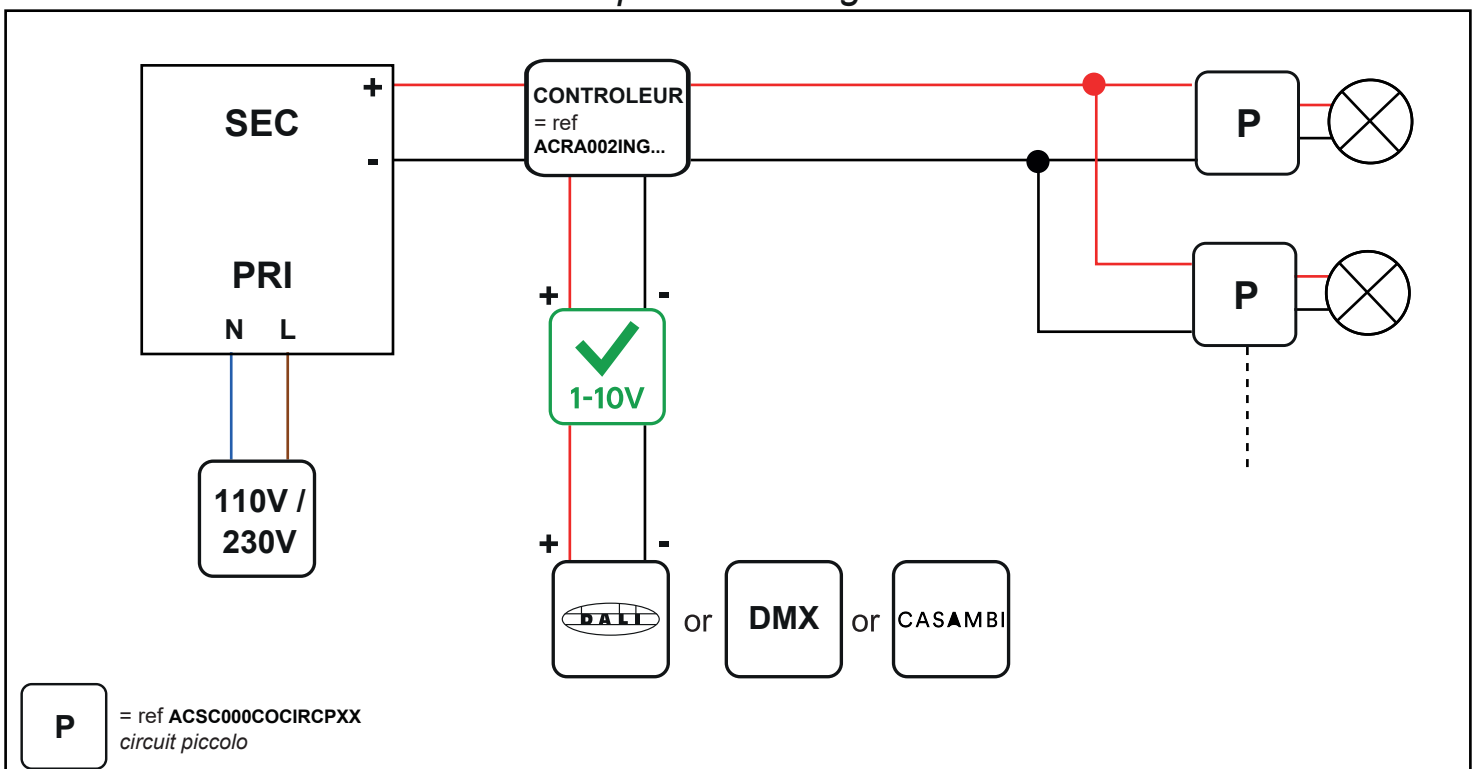
IBL10-CF

SCHEMA DE CABLAGE

CABLAGE SERIE *connect in series*



CABLAGE PARALLELE *parallel wiring with controller*



P = ref ACSC000COCIRCPXX
circuit piccolo