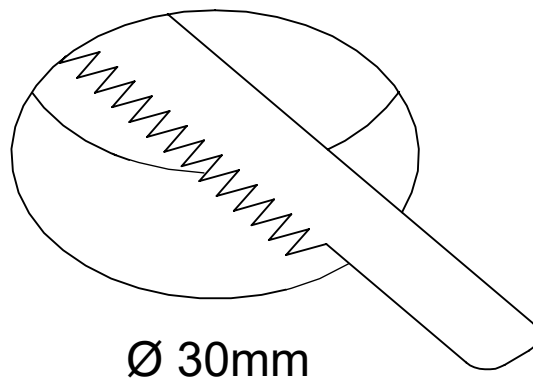


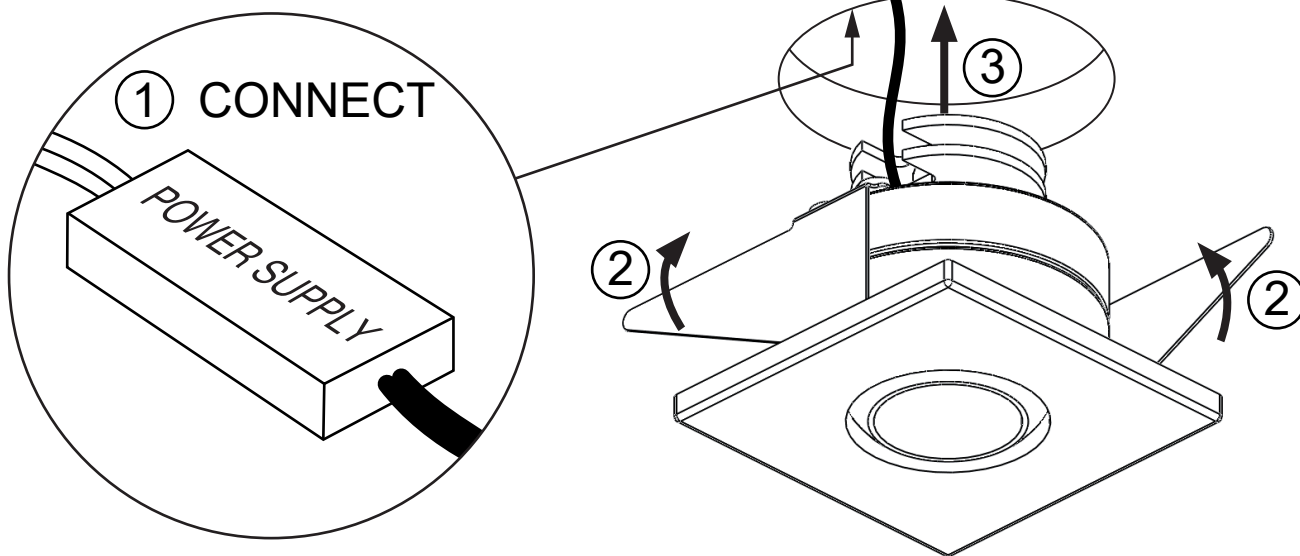
# IN000-C7

## INSTALLATION

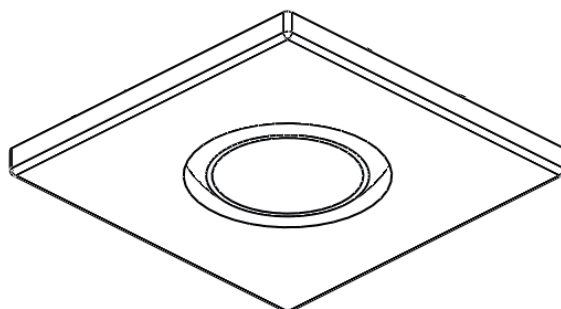
1/



2/



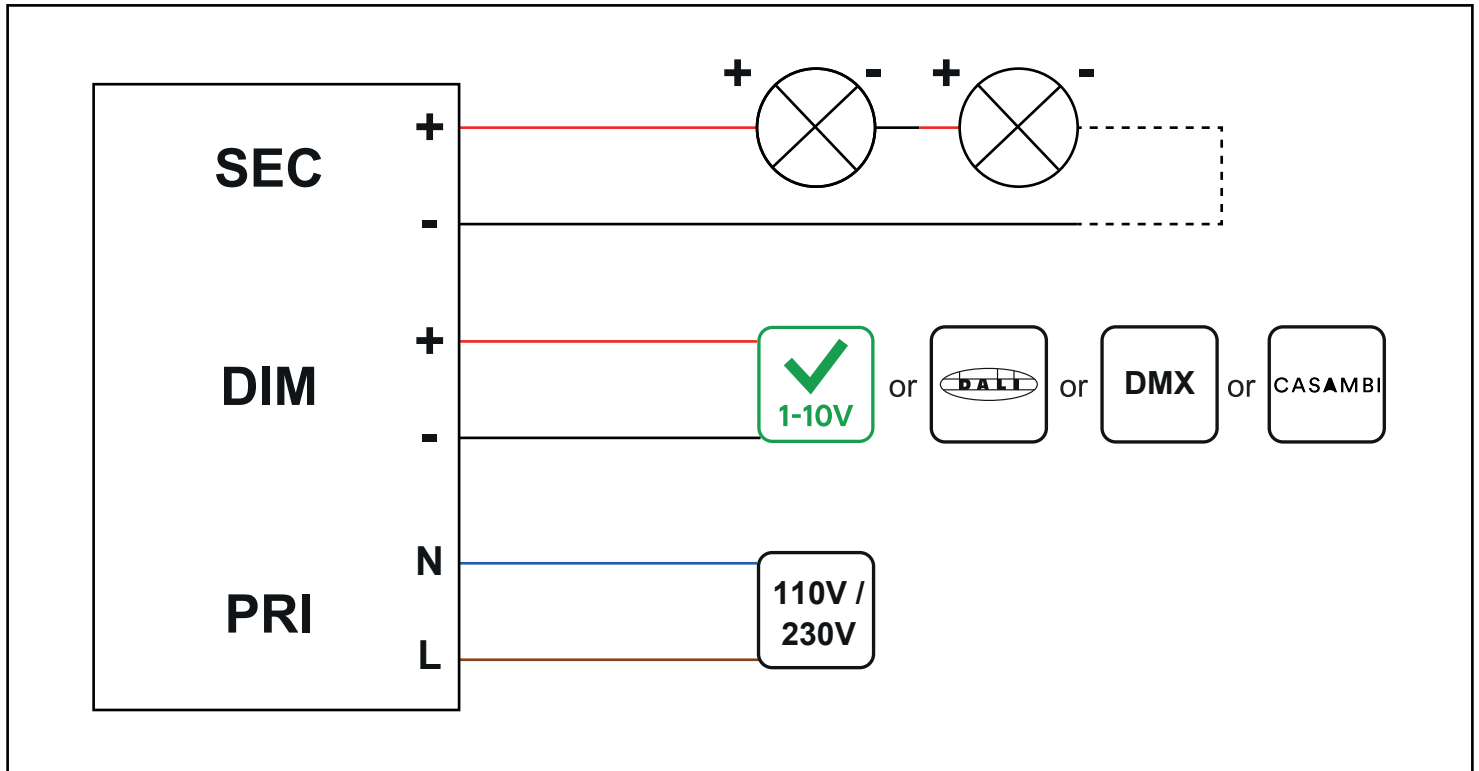
3/



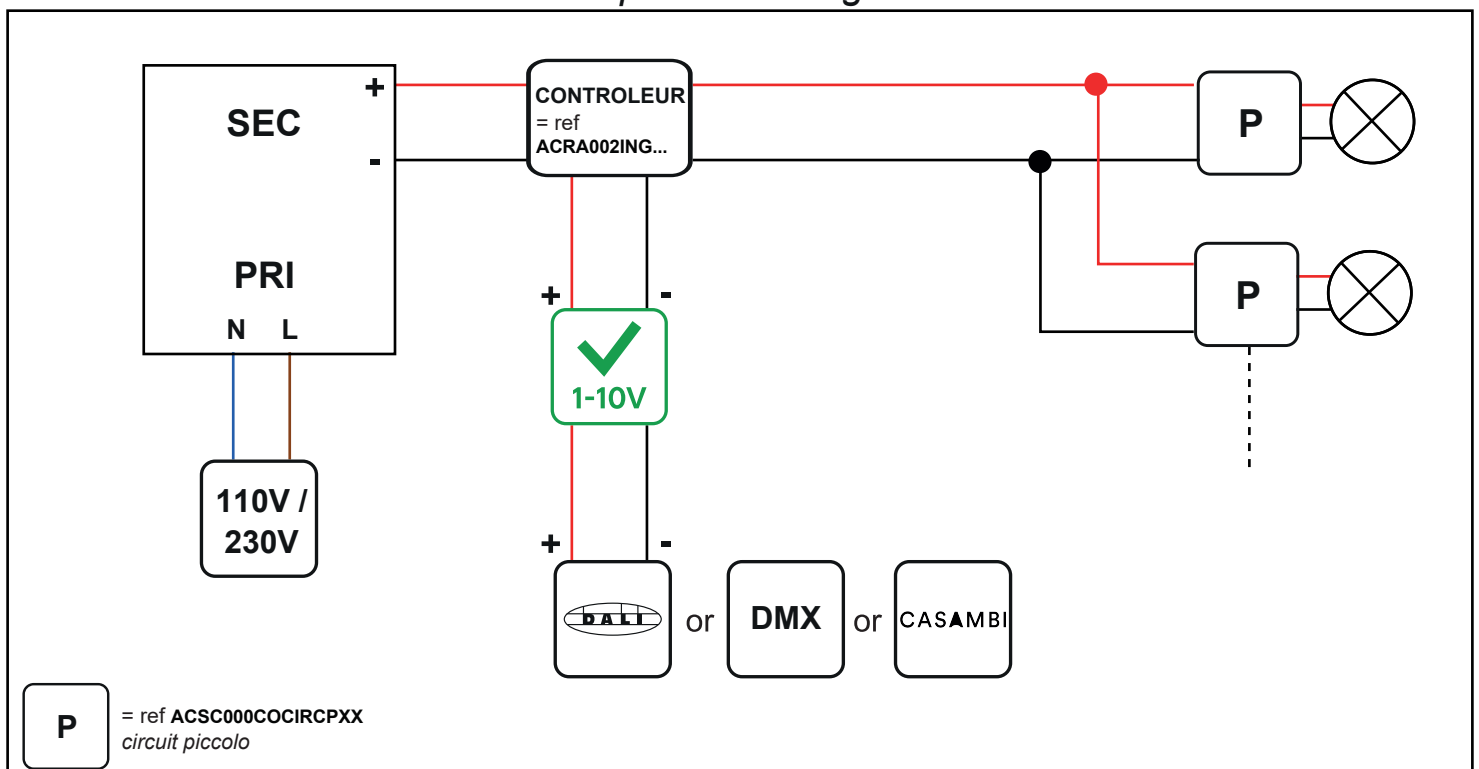
# IN000-C7

## SCHEMA DE CABLAGE

### **CABLAGE SERIE** connect in series



### **CABLAGE PARALLELE** parallel wiring with controller



**P** = ref ACSC000COCIRCPXX  
circuit piccolo