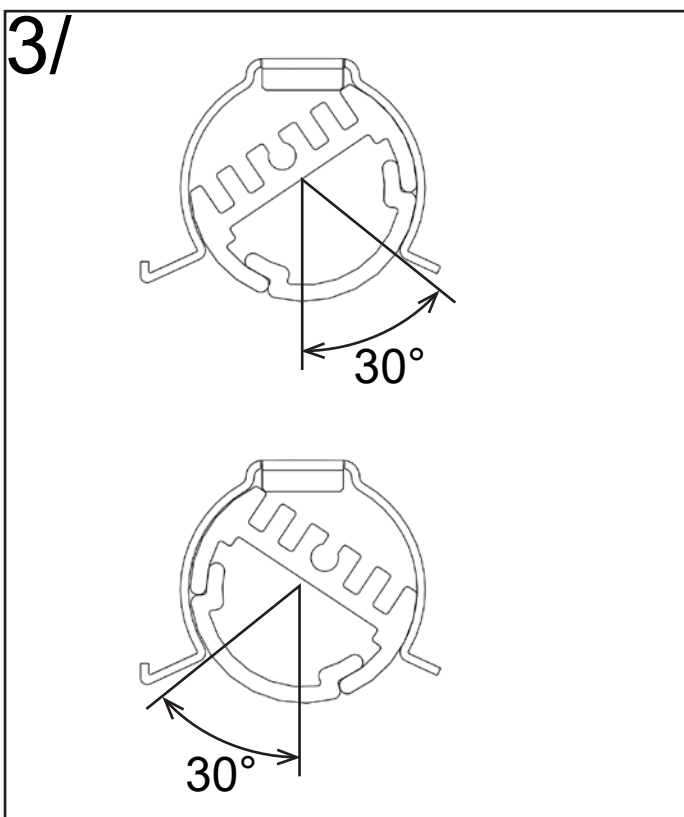
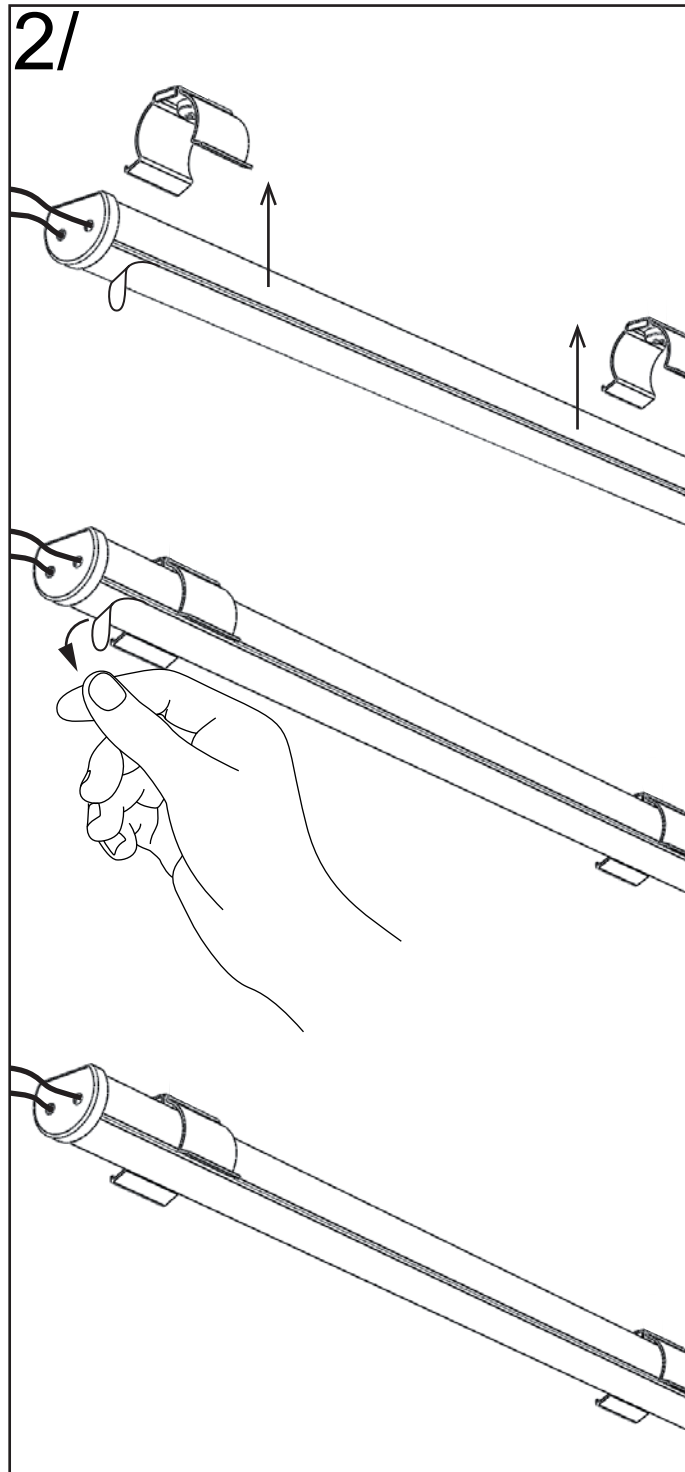
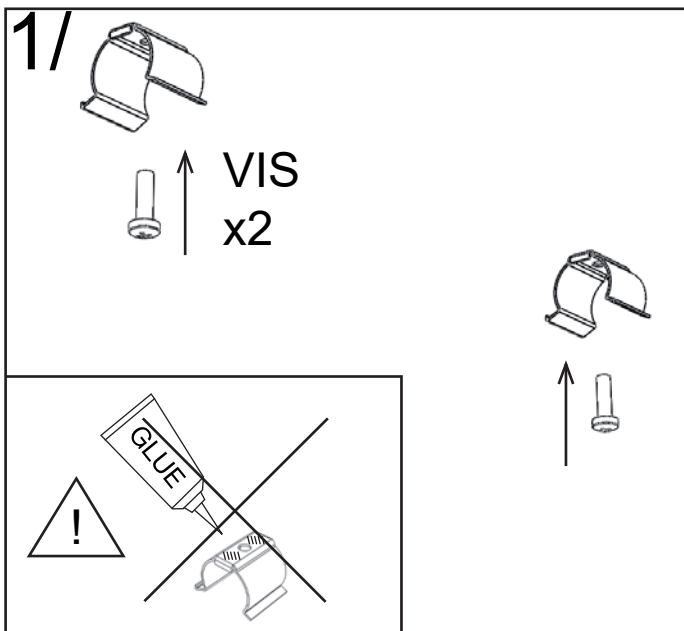


LI030-BA

INSTALLATION



LI030-BA

SCHEMA DE CABLAGE

CABLAGE PARALLELE *parallel wiring*

