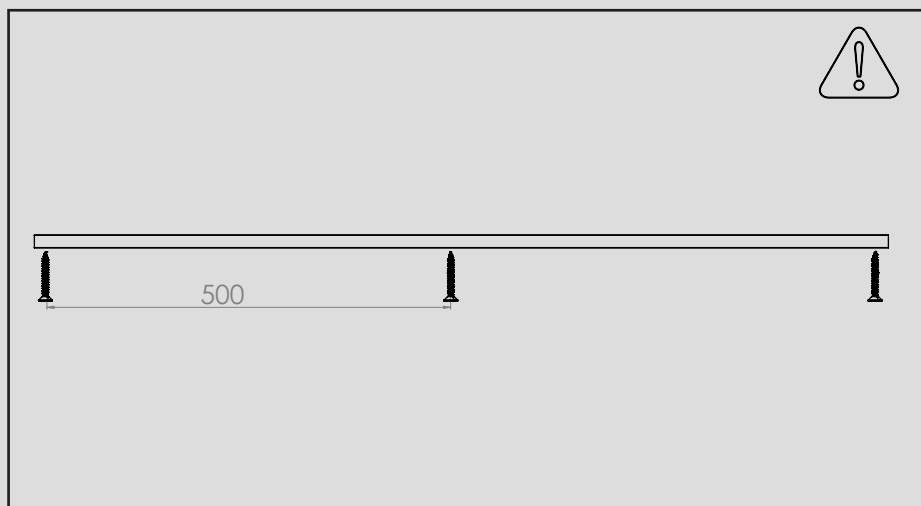
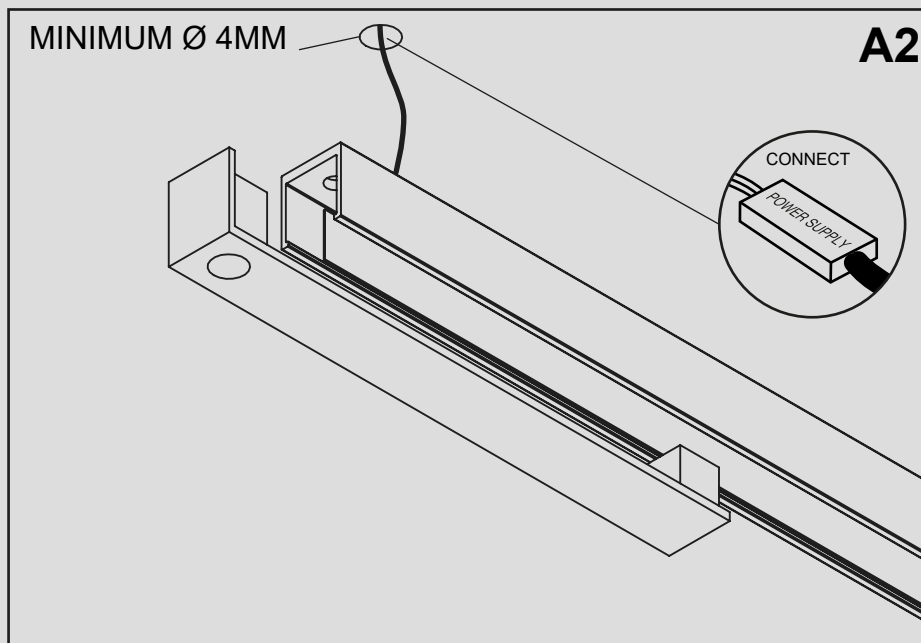
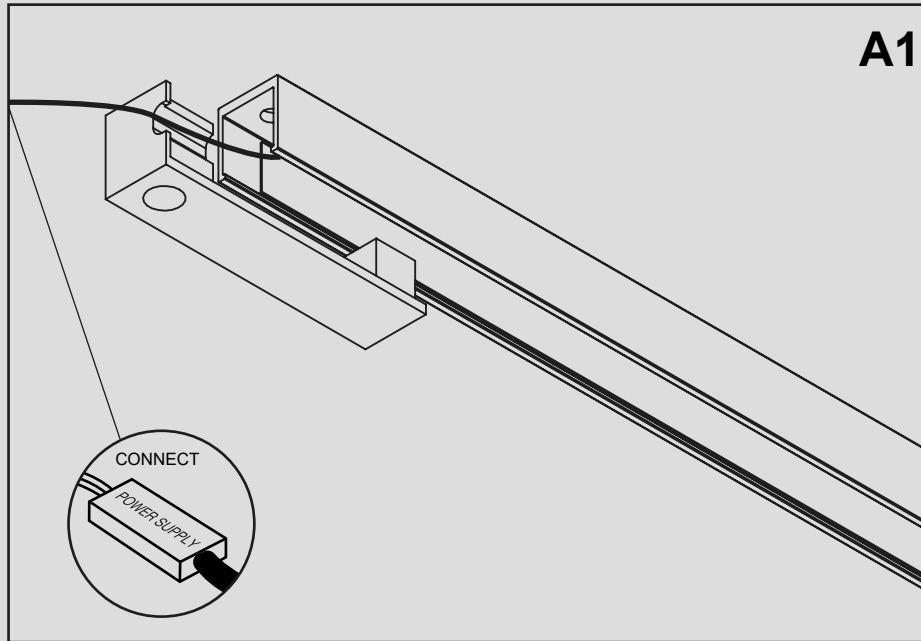


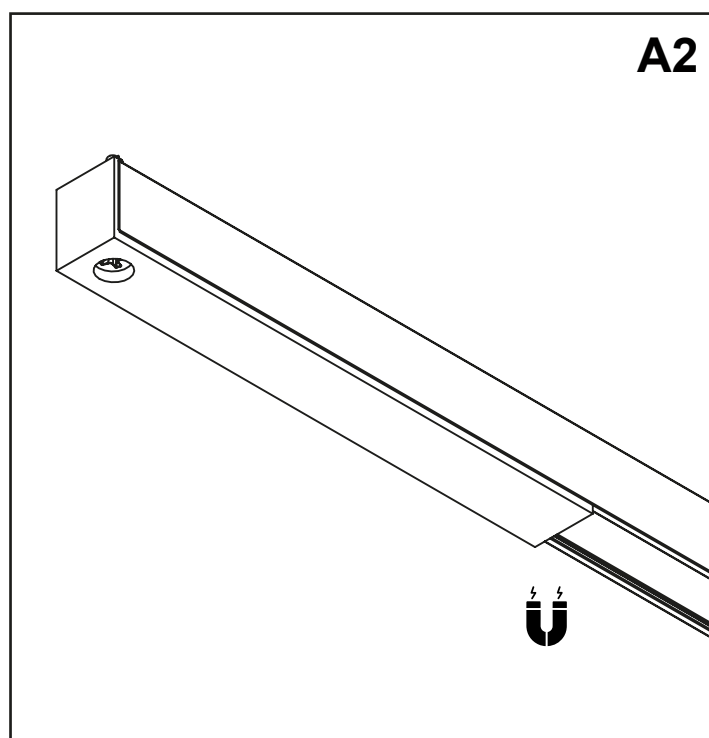
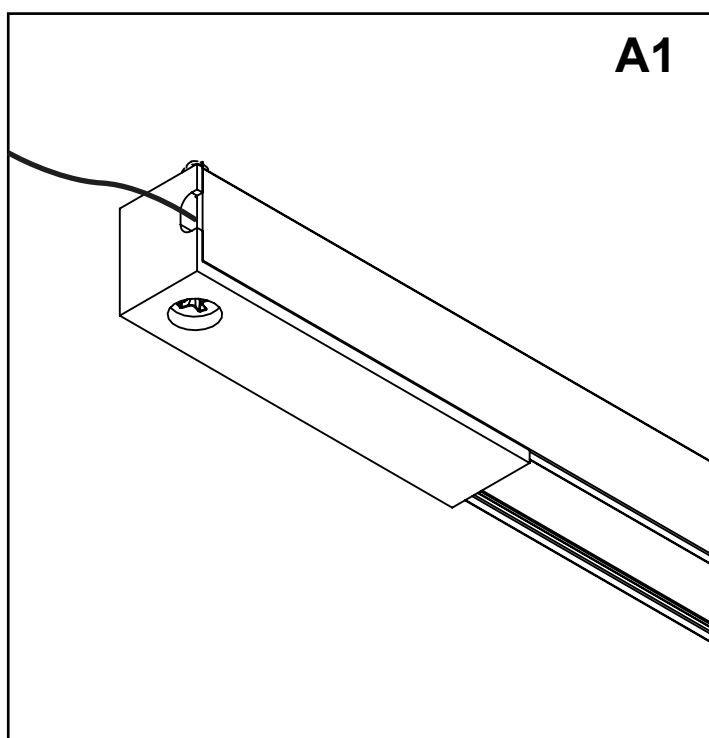
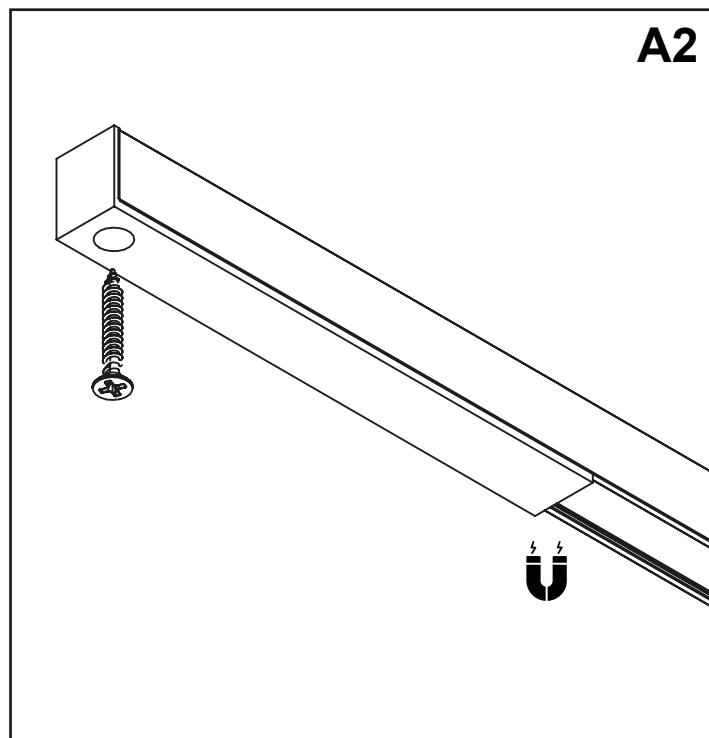
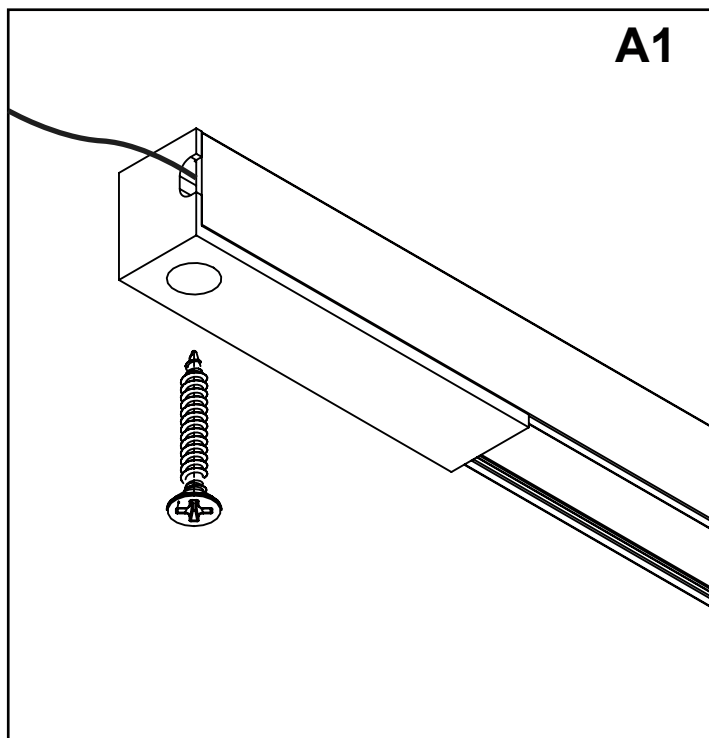
# RA002 WARNING



# RA002

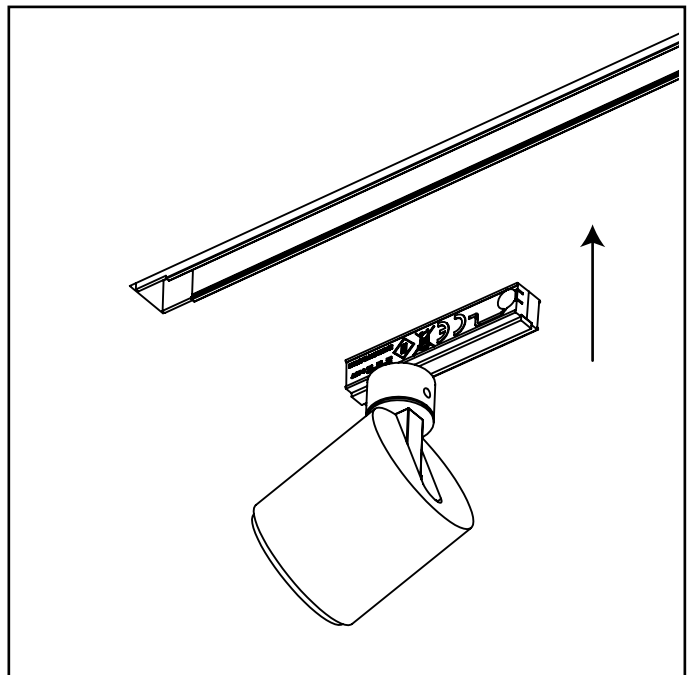
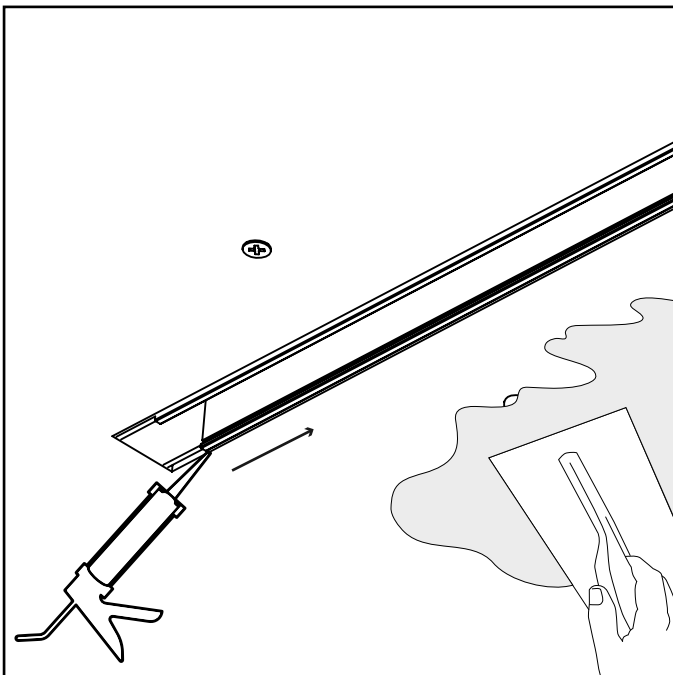
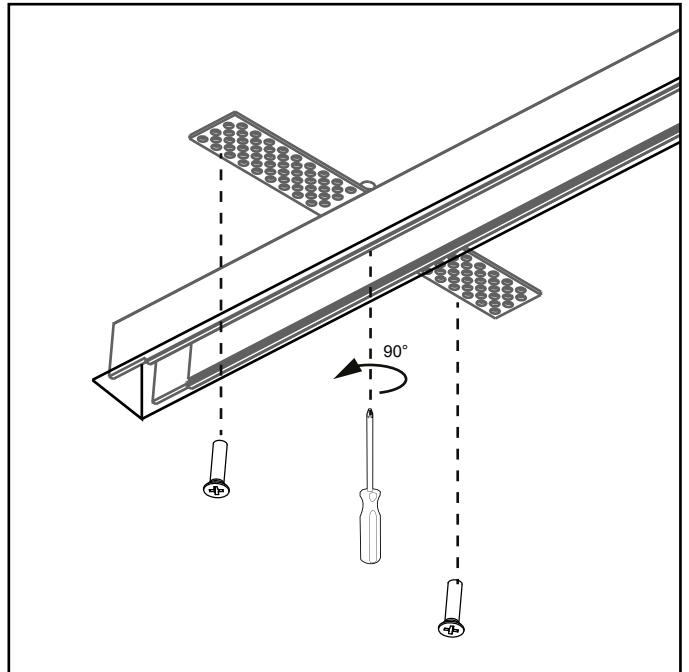
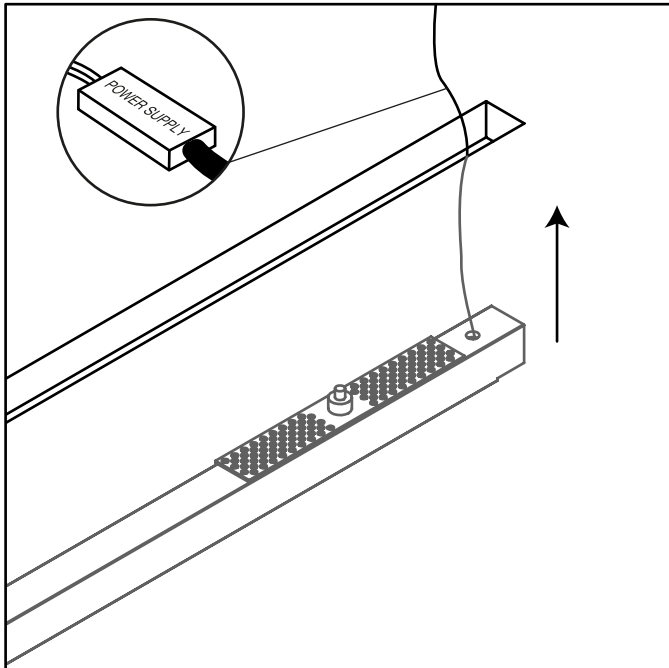
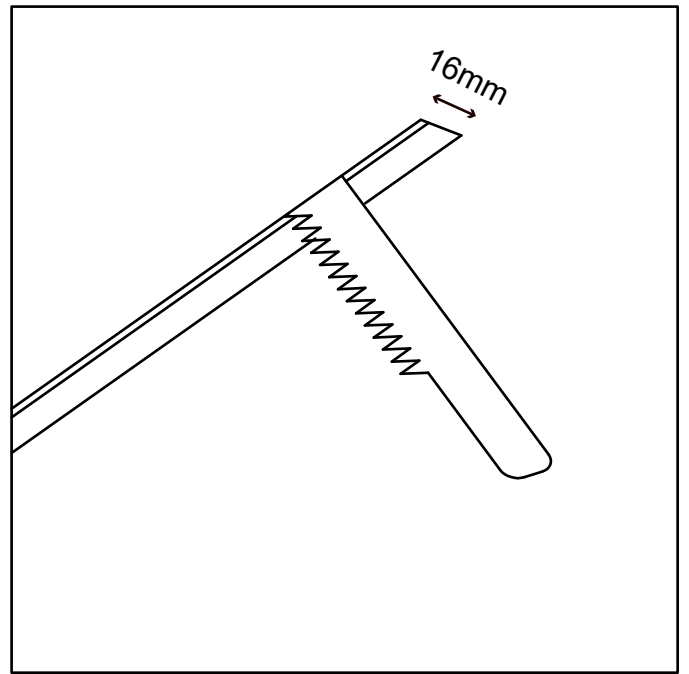
INSTALLATION EMBOUT D'ALIMENTATION A1 ou A2

*ELECTRICAL ENDING CAP SETUP A1 or A2*



# RA002

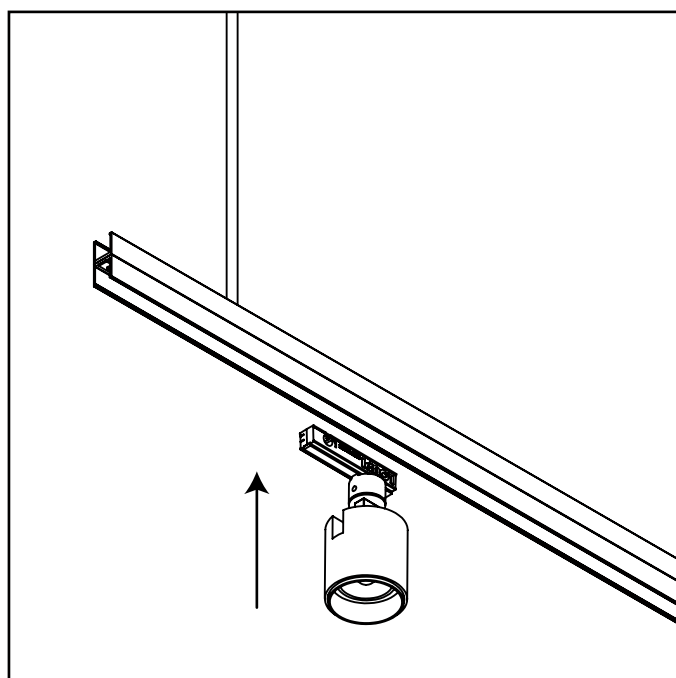
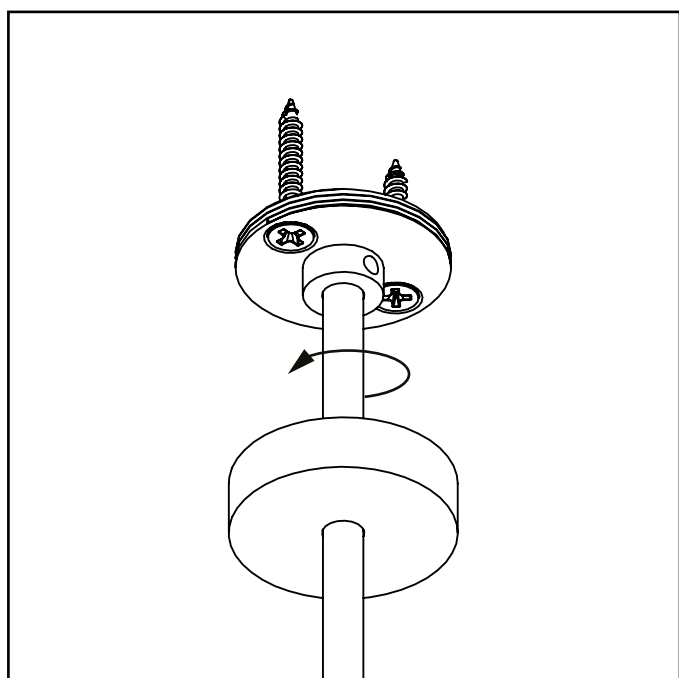
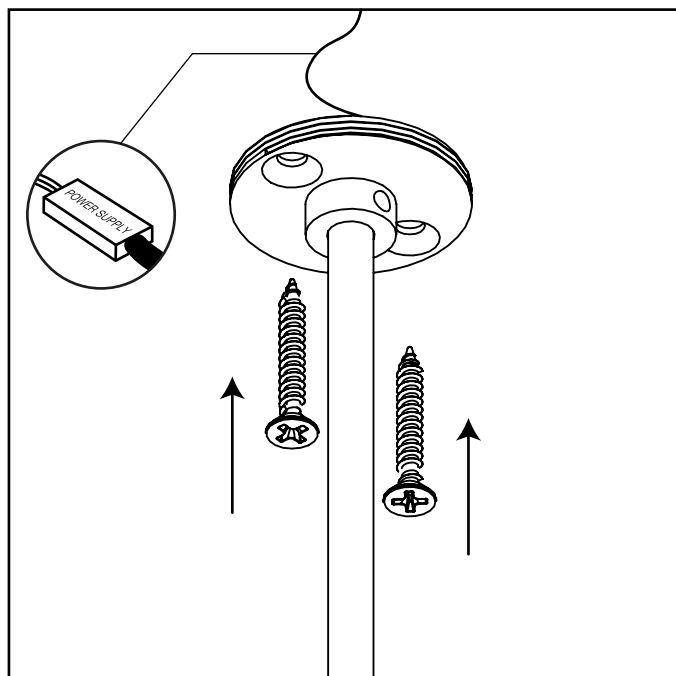
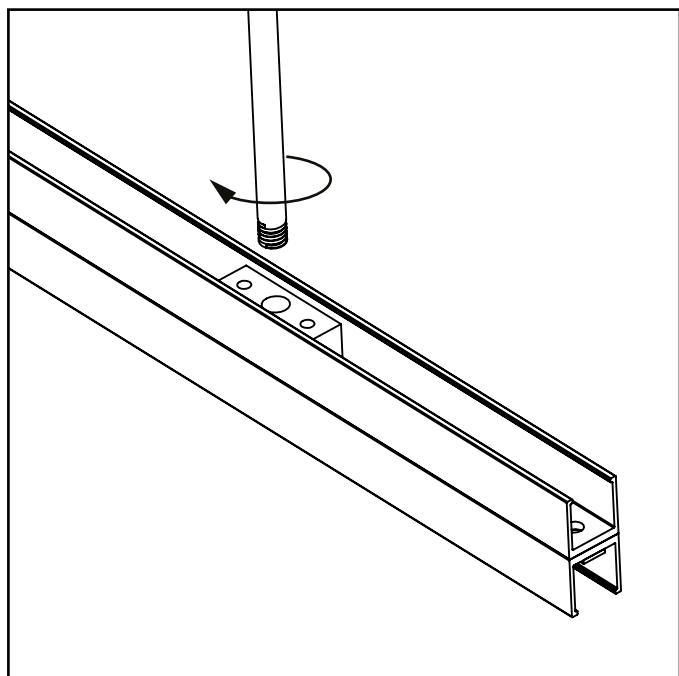
## INSTALLATION RAIL TRIMLESS TRIMLESS TRACK SETUP



# RA002

## INSTALLATION RAIL SUSPENSION

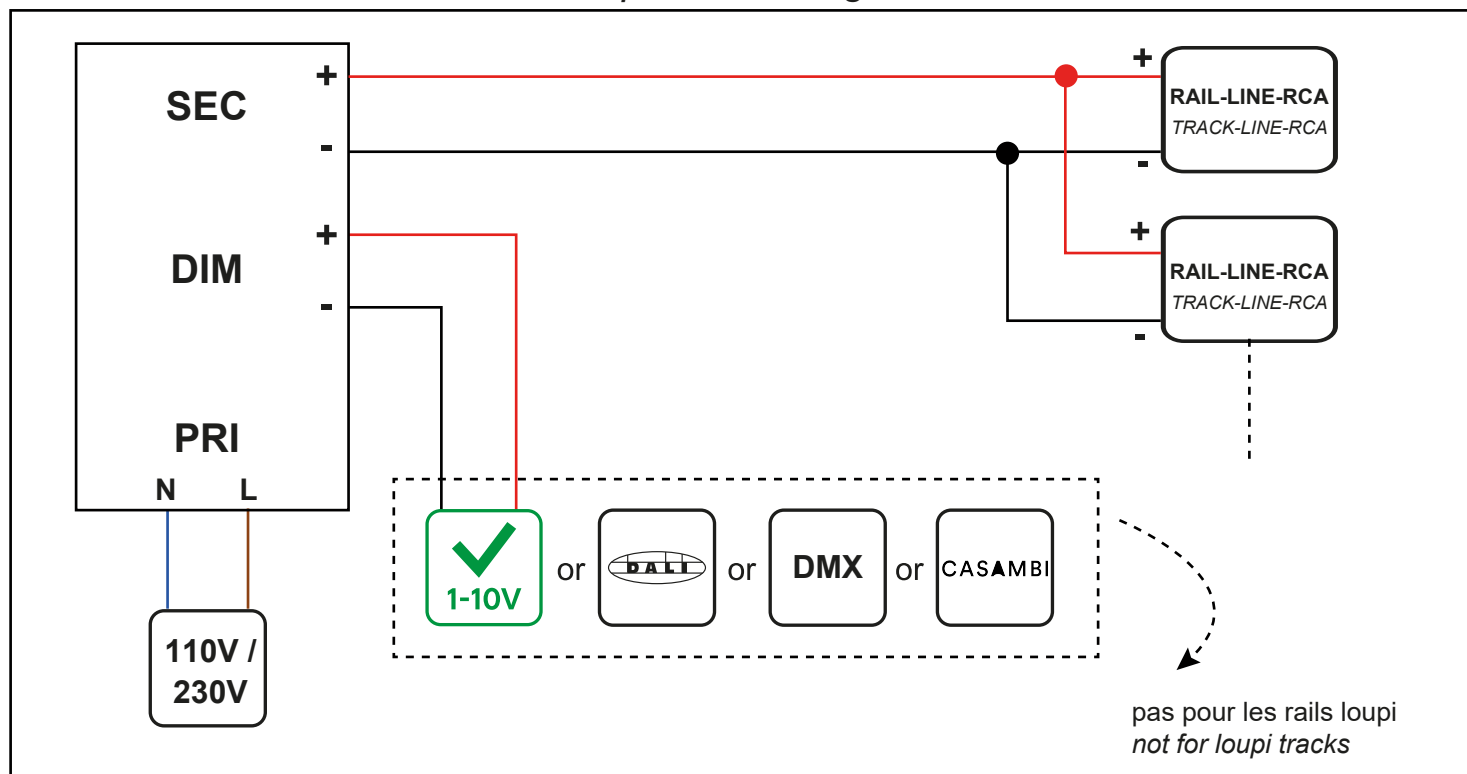
### *PENDANT TRACK SETUP*



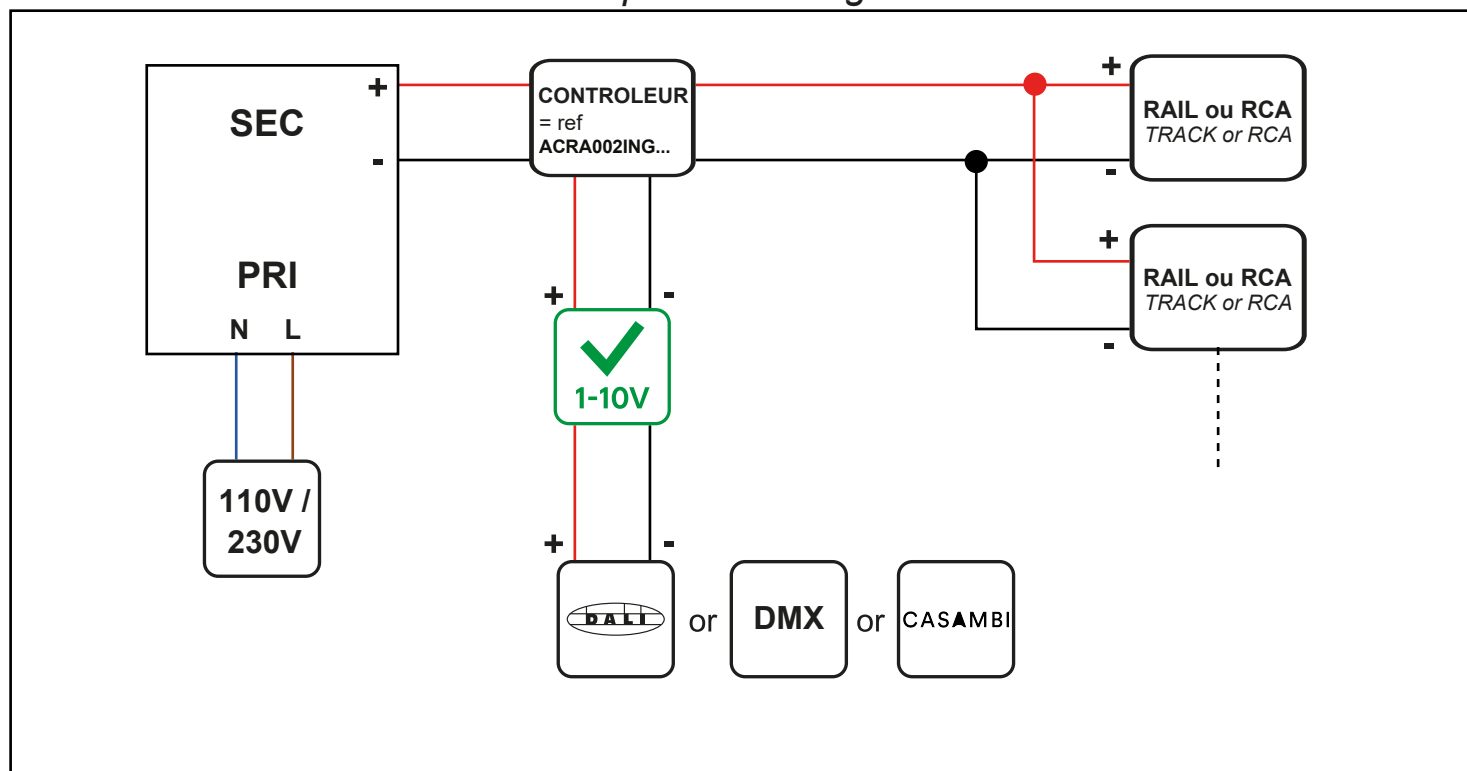
# RA002

## SCHEMA DE CABLAGE

### CABLAGE PARALLELE *parallel wiring*



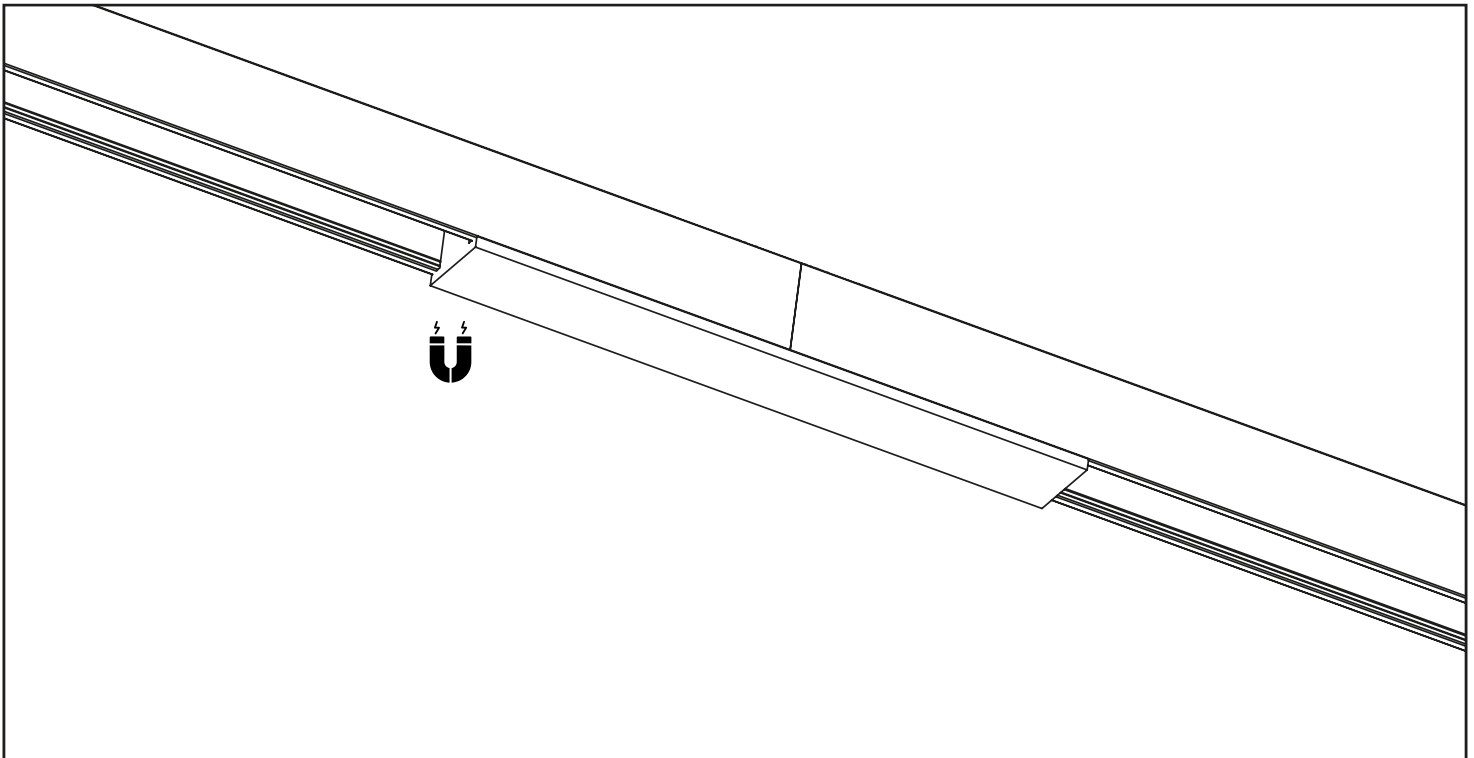
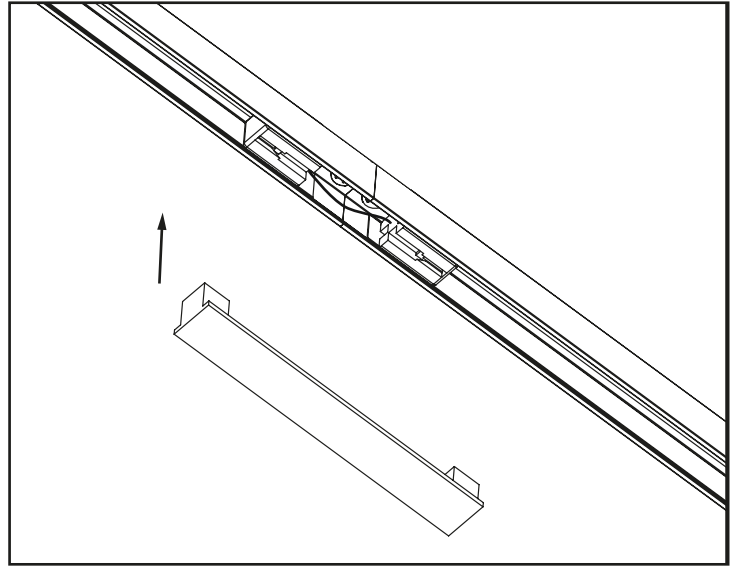
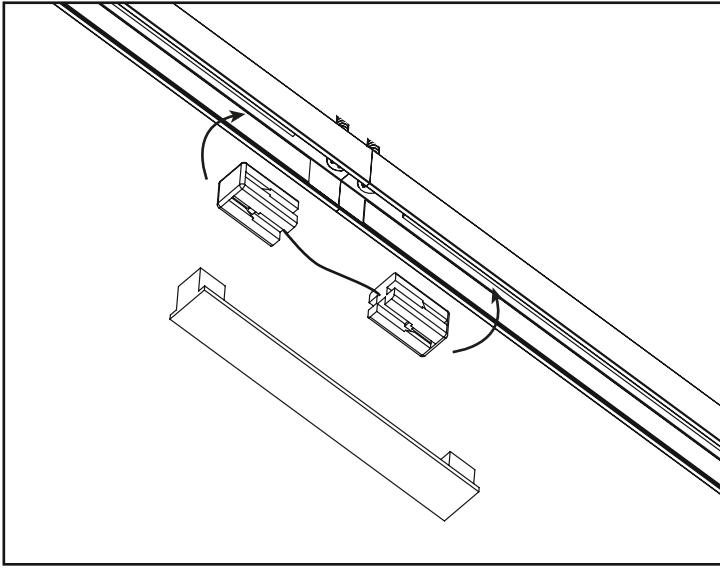
### CABLAGE PARALLELE *parallel wiring with controller*



# RA002

INSTALLATION JONCTION DROITE

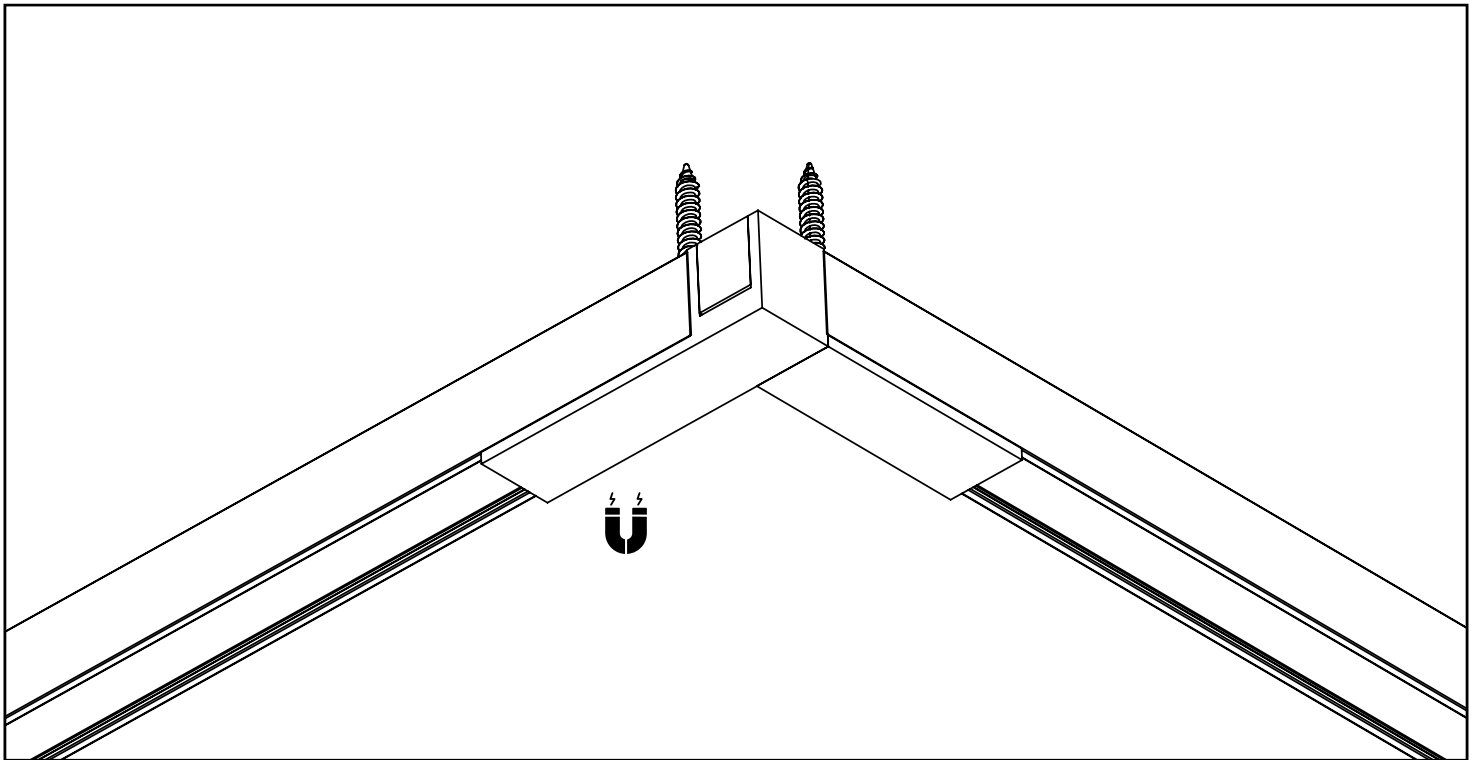
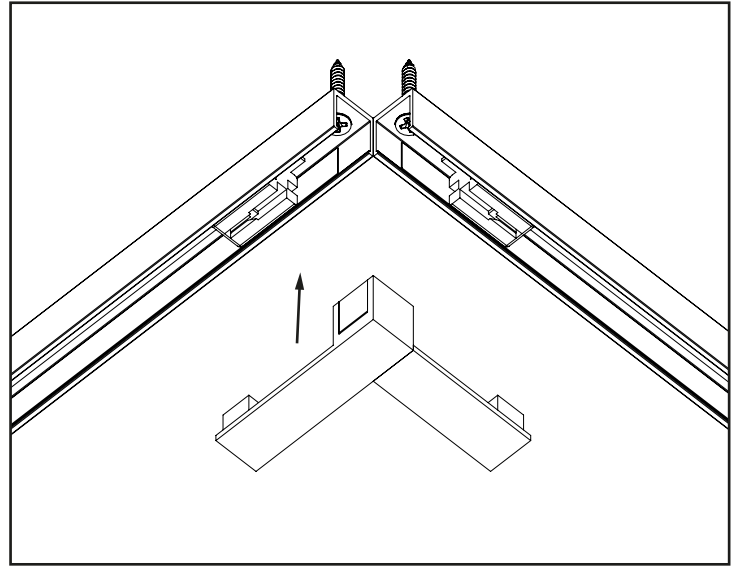
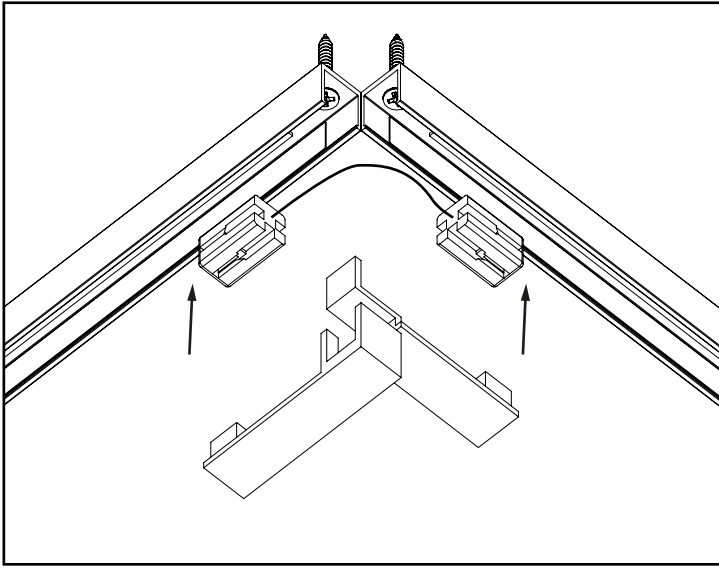
*LINE JUNCTION SETUP*



# RA002

INSTALLATION JONCTION D'ANGLE

*ANGLE JUNCTION SETUP*



# RA002

INSTALLATION EMBOUT SIMPLE et CAPOT DE FINITION  
*SIMPLE CAP and FINITION CAP SETUP*

