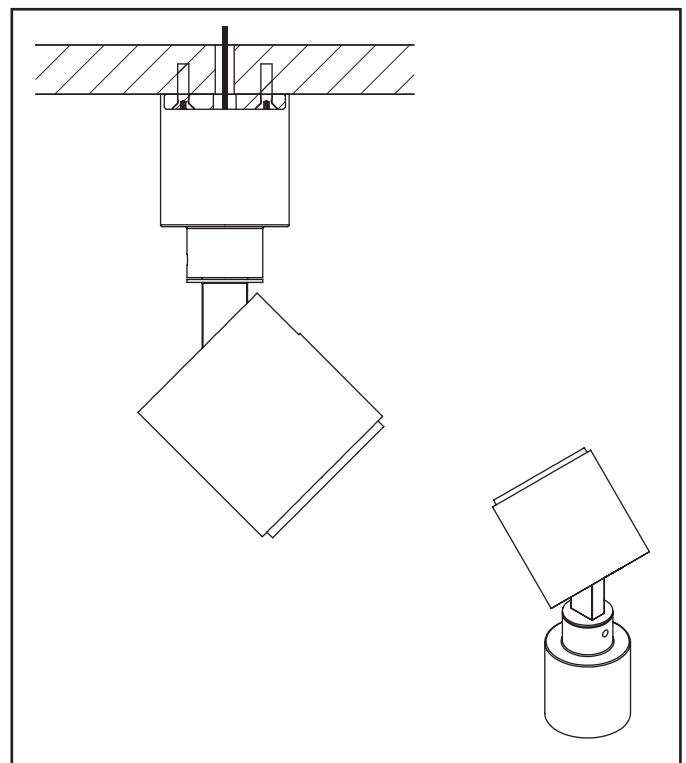
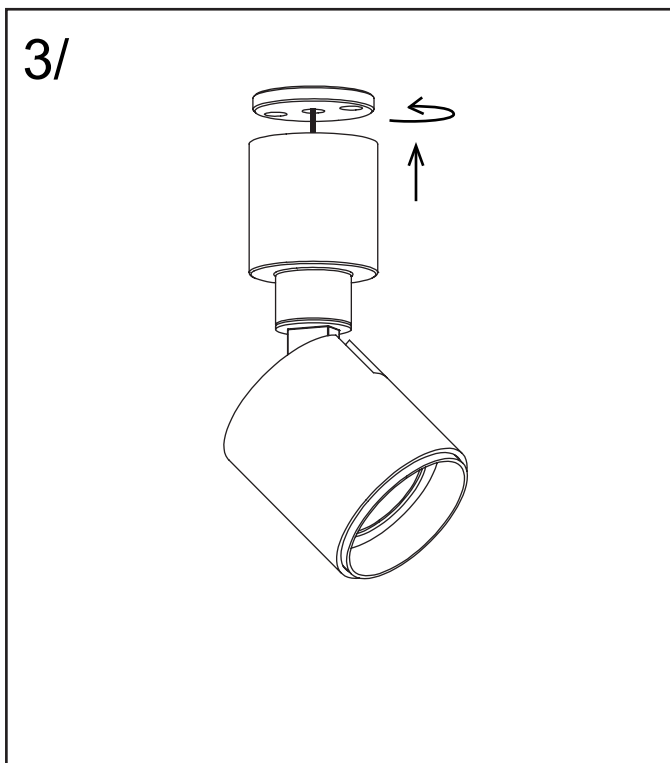
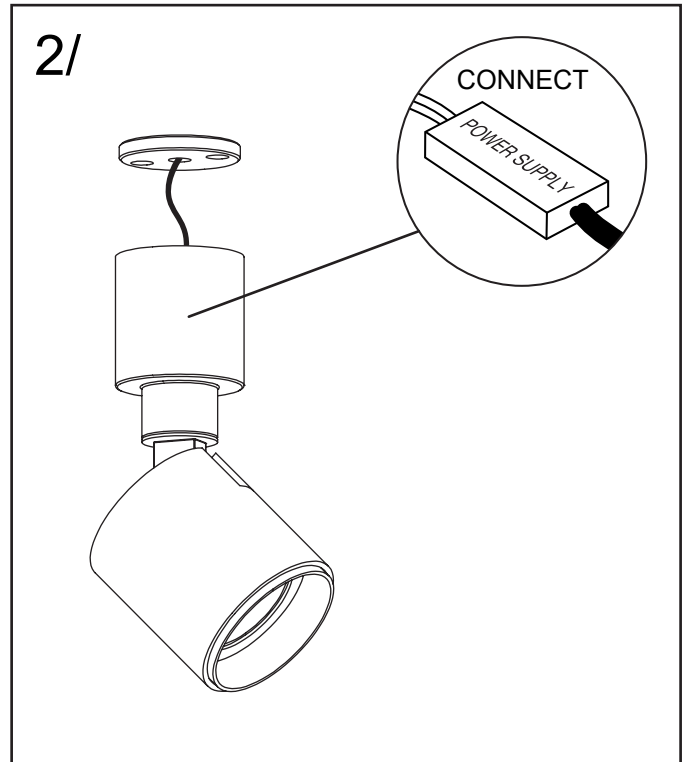
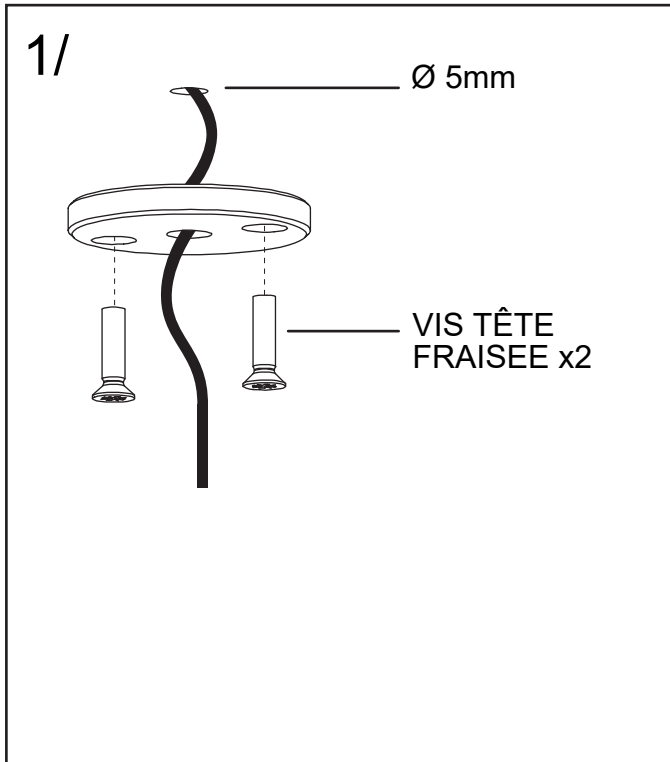


# SD012-A (new)

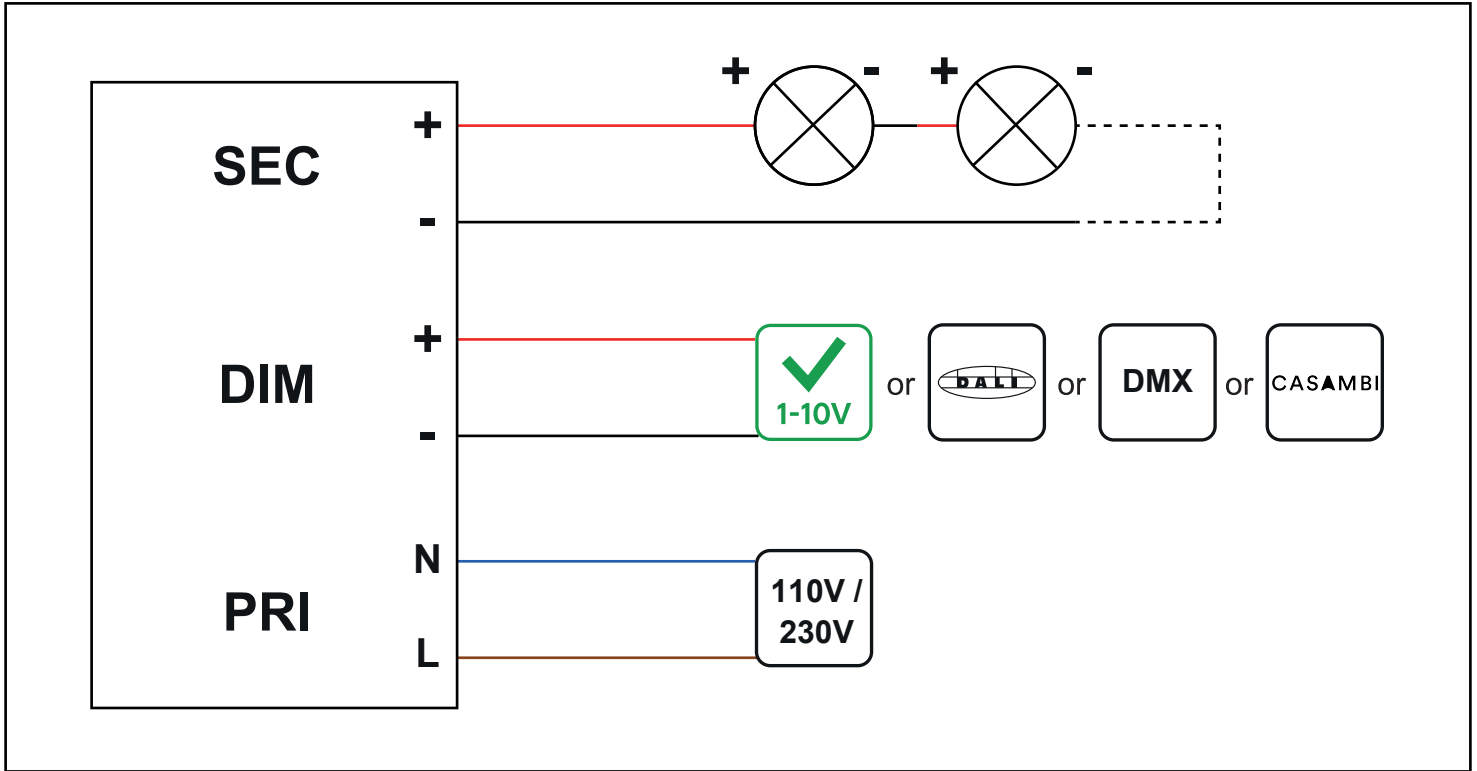
## INSTALLATION



# SD012-A (new)

## SCHEMA DE CABLAGE

### **CABLAGE SERIE** *connect in series*



### **CABLAGE PARALLELE** *parallel wiring with controller*

