

Insert 10 outdoor Low brightness

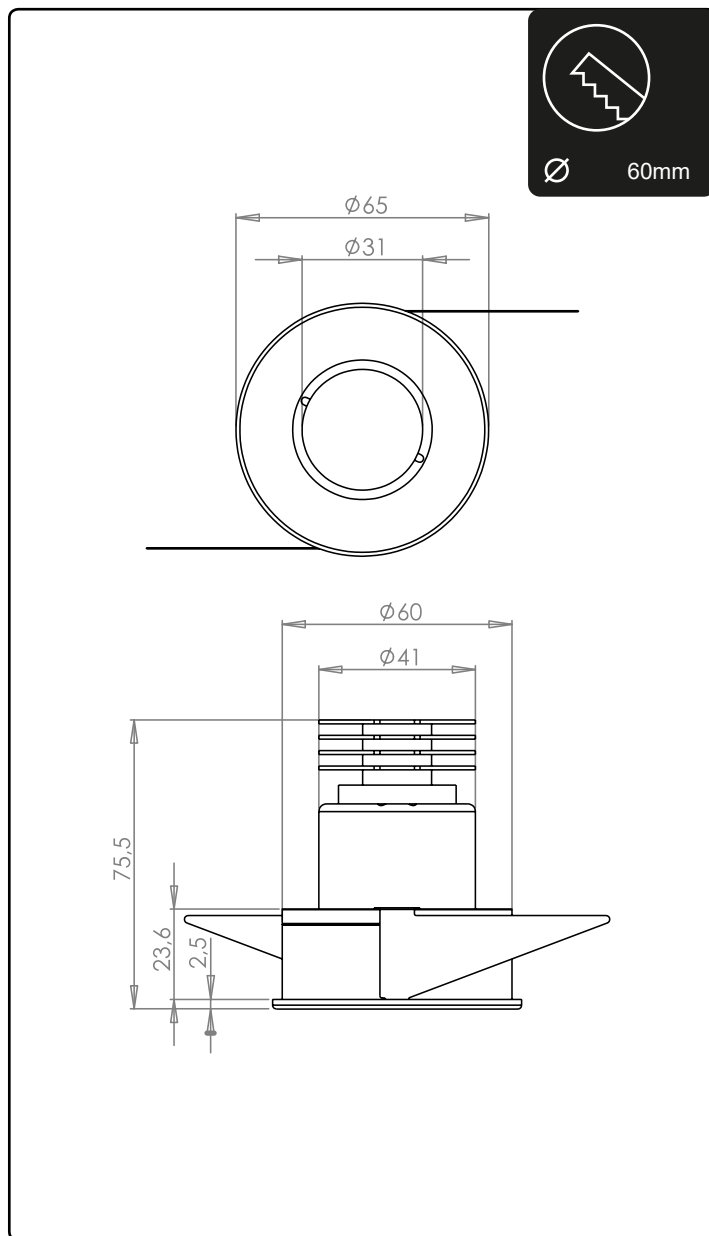
REF : IB100-RF

OUTDOOR EN



↓ PRODUCT DESCRIPTION

This low luminance round LED recessed light for humid rooms or outdoor lighting is used for general, accent, or ambient lighting applications. Its balanced design and compact size facilitate its integration. It is widely available in various color temperatures and beam angles. Internal seals ensure the system's waterproofness.



↓ OUTPUT



↓ LUMENS



↓ CRI



↓ USE



↓ IP



↓ POWER SUPPLY



↓ DEGREES



↓ DIMMING



↓ COLOUR TEMPERATURE



↓ STANDARDS COMPLIANCE



↓ COLOURS



Insert 10 outdoor Low brightness

REF : IB100-RF

OUTDOOR EN

↓ SOURCES

- Luminous flux according to Bining: **800 lumens**
- Colour temperature : de **2700K to 4000K**
- Service Range: 70 % of nominal flux after 50 000 hours
- Colour Rendering Index: CRI 9

↓ OPTICAL

- PMMA acrylic lens, efficiency ~90%
- Available degrees : **15°, 25°, 40°, Elliptic**

↓ ELECTRICAL

- Power supply **700mA**
- Reversible polarity and hot plug
- Power consumption to **8W** max, excluding supply
- Electrical Classification : Class III SELV device

↓ MECHANICAL

- Electronic circuit encased in a fire-proof polycarbonate housin
- ROHS components
- Interior use only

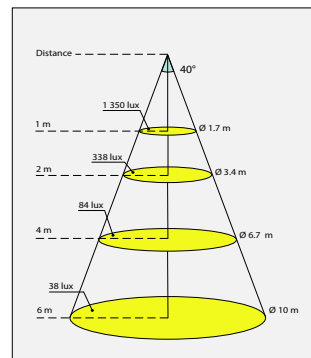
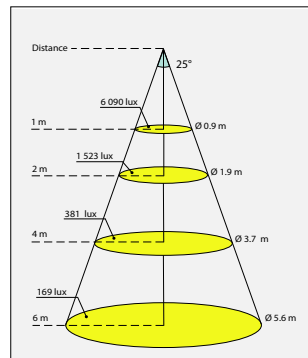
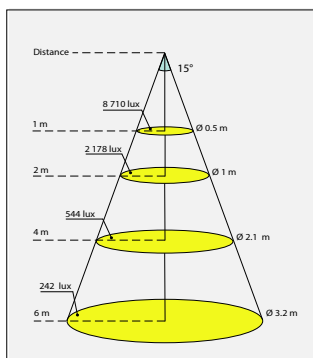
↓ SPECIFICITIES

- 3 years guarantee

↓ NOMENCLATURE

Product Ref.	IB100				
Specification		RF			
Degrees	15°			15	
	25°			25	
	40°			40	
	Elliptic			ELL	
Colours	Noir				BK
	Custom				CU
Temperature	2700K				27
	3000K				30
	3500K				35
	4000K				40
REFERENCE	IB100	RF	40	BK	27

BEAM ANGLE



Insert 10 outdoor LB

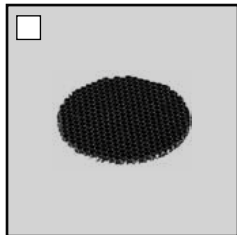
REF : IB10O-RF

OUTDOOR

EN

ACCESSORIES

↓ OPTICAL ACCESSORIES



HONEYCOMB
INSERT 10 OUTDOOR



ACSIB10COCIRCPXX50
Piccolo circuit with sheath
heat-shrinkable for INSERT 10