

Apollo 12

REF : AP012

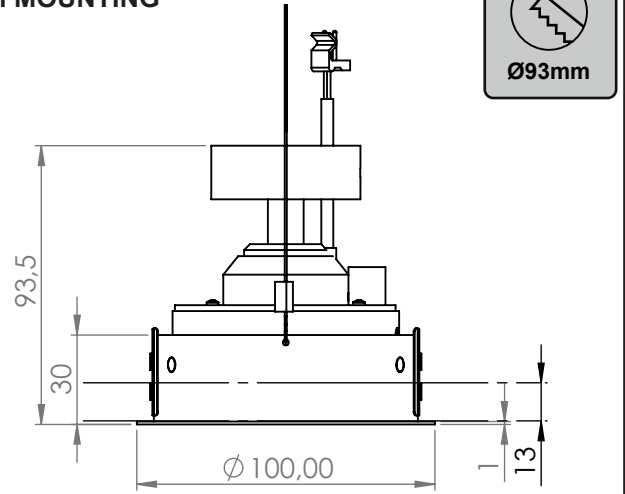
RECESSED EN



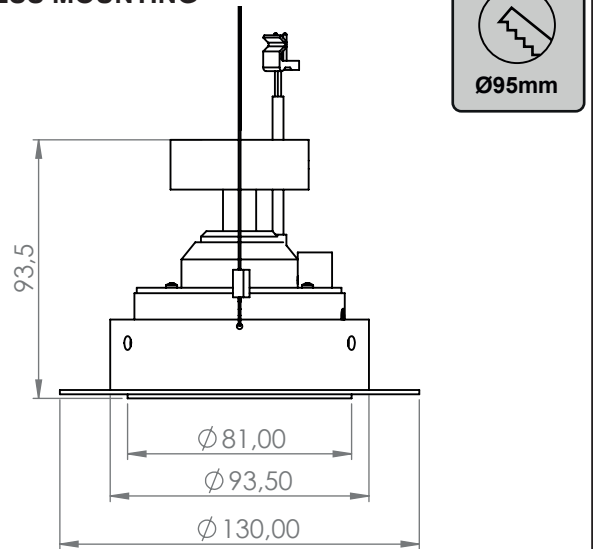
↓ PRODUCT DESCRIPTION

Apollo 12 is a 12W recessed spotlight that can be mounted in either Trim or Trimless configurations. It features a tool-free interchangeable LED and lens system with a CRI98 - R9>90. The entire unit can be rotated 360°, and the spotlight allows for a tilt of up to 40°.

TRIM MOUNTING



TRIMLESS MOUNTING



↓ OUTPUT

12W

↓ LUMENS

1200lm

↓ CRI

IRC98
R9>90

↓ USE



↓ IP

IP 40

↓ POWER SUPPLY

700mA

↓ DIMMING

1-10V



CASAMBI

DMX

↓ DEGREES

10°

15°

25°

35°

ELL

↓ COLOUR TEMPERATURE

2700K

3000K

3500K

4000K

↓ COLOURS

BK

WH

CUSTOM

↓ STANDARDS COMPLIANCE

EN 62471

EN 60598-1

EN 60598-2

CE

III

ETL

LOUPLIGHTING

Designed and manufactured by Loupi Lighting, all rights reserved.
Trademarks, models, and patents registered, reproduction prohibited.
Non-contractual document. Specifications may be subject to change without prior notice.

+33 1 49 15 99 99
contact@loupi.com
www.loupi-lighting.com

↓ SOURCES

- Luminous flux according to Bining: **1200 lumens** (for 4000K)
- Colour temperature : **2700K à 4000K**
- Service Range: 70 % of nominal flux after 50 000 hours
- Colour Rendering Index: **CRI 98 - R9>90**

↓ OPTICAL

- PMMA acrylic lens, efficiency ~90%
- Available degrees : **10°, 15°, 25°, 35° et Elliptic**

↓ ELECTRICAL

- Power supply **700mA ~ 18V**
- Reversible polarity and hot plug
- Power consumption to **12W** max, excluding supply
- Electrical Classification : Class III SELV device

↓ MECHANICAL

- Electronic circuit encased in a fire-proof polycarbonate housin
- Operating temperature : -5° +40°
- 360° rotation
- 40° tilt
- ROHS components
- Interior use only

↓ SPECIFICITIES

- 3 years guarantee

↓ SPOT NOMENCLATURE

Product Ref.	AP012		
Colour	Black		BK
	White		WH
	Custom		CU
Temperature	2700K		27
	3000K		30
	3500K		35
	4000K		40
Degrees	10°		10
	15°		15
	25°		25
	35°		35
	Elliptic		ELL
REFERENCE	AP012	WH	27 25

↓ TRIM SUPPORT NOMENCLATURE

Trim support	ACAP012TR		
Colour	Black		BK
	White		WH
	Custom		CU
REFERENCE	ACAP012TR	WH	C

↓ TRIMLESS SUPPORT NOMENCLATURE

Trimless support	ACAP012TLC
------------------	------------

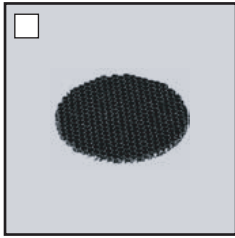
ORDER REFERENCE (TRIM MOUNTING)



ORDER REFERENCE (TRIMLESS MOUNTING)



↓ OPTICAL ACCESSORIES



ACAP012NIDABBK045C
Honey comb D45mm



ACAP012LENHOLXXC
(XX = 10°, 15°, 25°, 35° ou ELL)
Lens holder



ACAP012LEDHOLAPXX
(XX = 27, 30, 35 ou 40 (00K))
LED holder

↓ BEAN ANGLE

