

INSTALLATION INSTRUCTIONS

*MICRO D - MINI D - SPOT D - SPOT D LONG - SPOT D8 -
SPOT D12 - SPOT D15*



Read the instructions carefully before assembly and commissioning.



Before proceeding with the installation, please ensure that the meter is powered off for safety reasons.



In accordance with European Union regulations on Waste Electrical and Electronic Equipment (WEEE), this lighting device must be disposed of separately. It should be taken to local collection centers specializing in the disposal or recycling of electronic products.

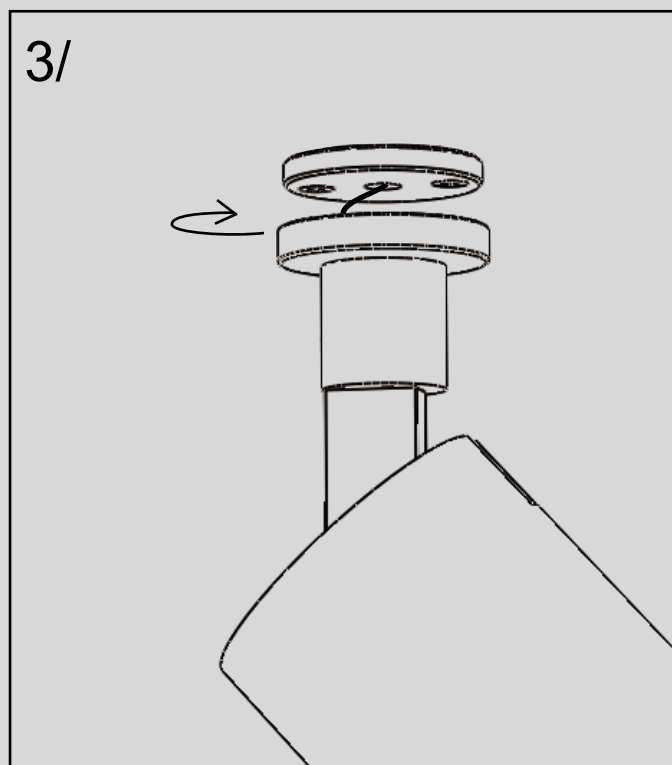
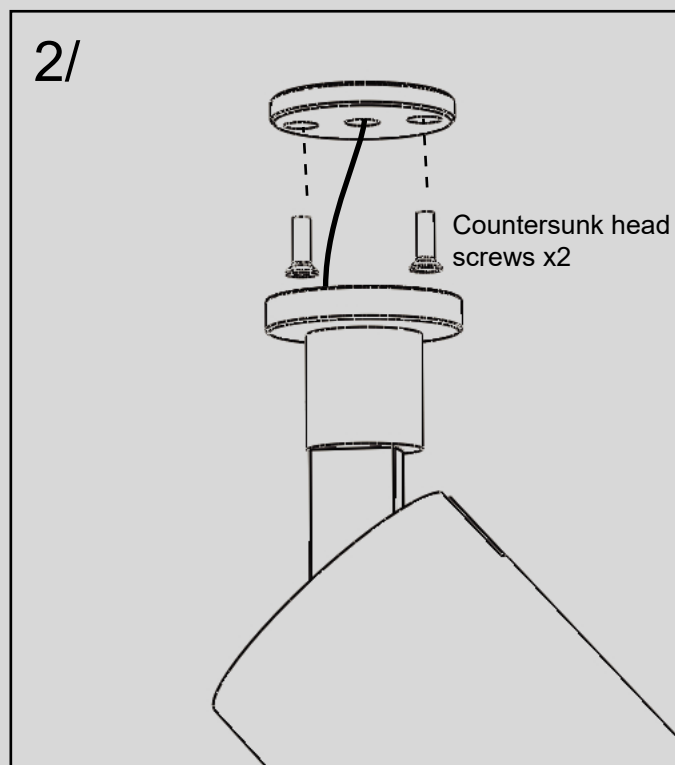
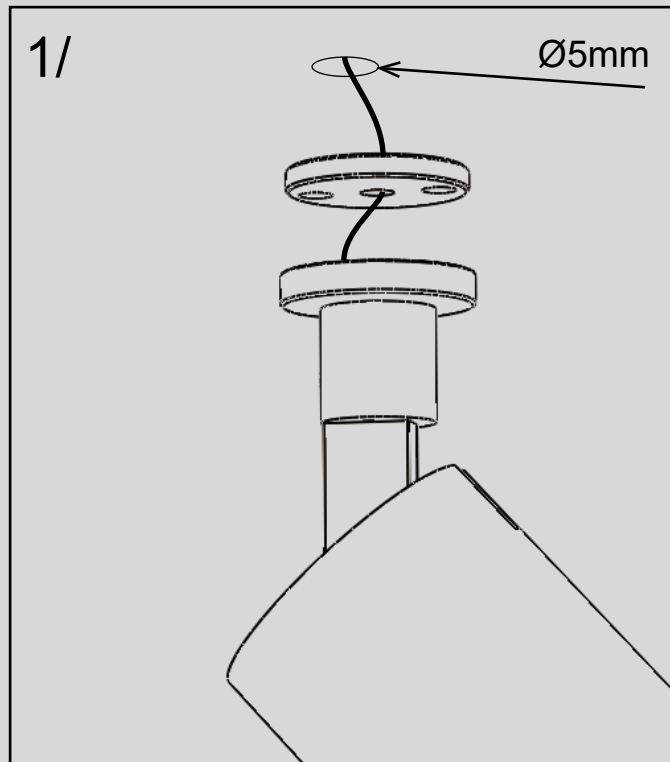
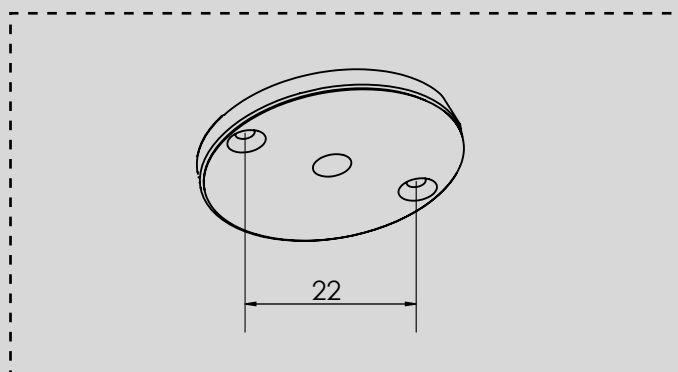
- Before installing the device, always ensure that the 48V power supply is switched off.
- If you use LOUPI adapters with products from other brands, please note that no responsibility is accepted regarding electrical safety, the proper functioning of the combined system, or any damage resulting from this combination. The liability for any defect in the LOUPI adapter remains unchanged.
- Only the manufacturer is authorized to replace or repair the LED module of this lighting device. In the event of damage or failure of the LED module, the entire lighting device must be returned to the factory.
- Please follow national guidelines for installation and accident prevention.
- This lighting device is intended for indoor use only in dry environments.
- When cleaning, please use only a high-quality microfiber cloth suitable for precision optical systems.

SD000 - SD001 -SD002 - SD01L55 - SD008 -SD012 - SD015

SIMPLE PEG INSTALLATION

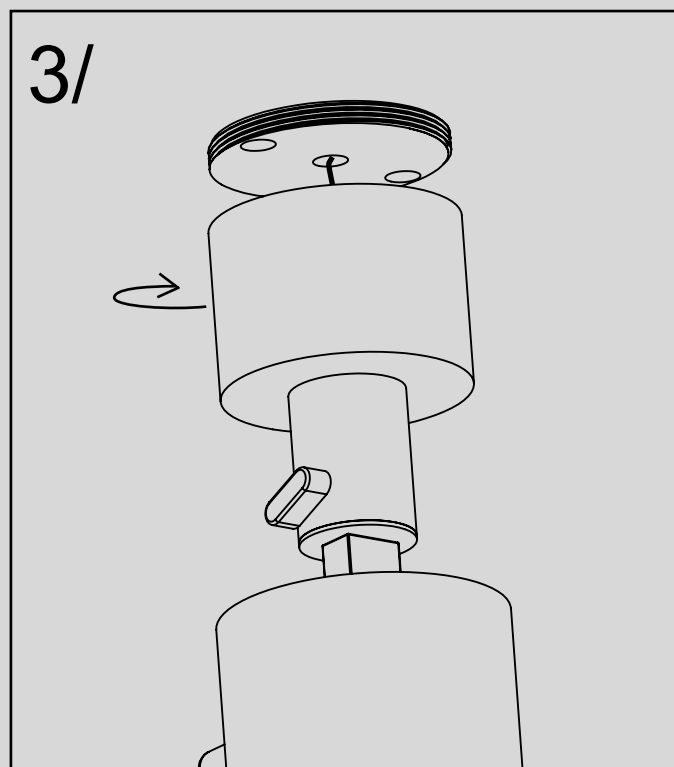
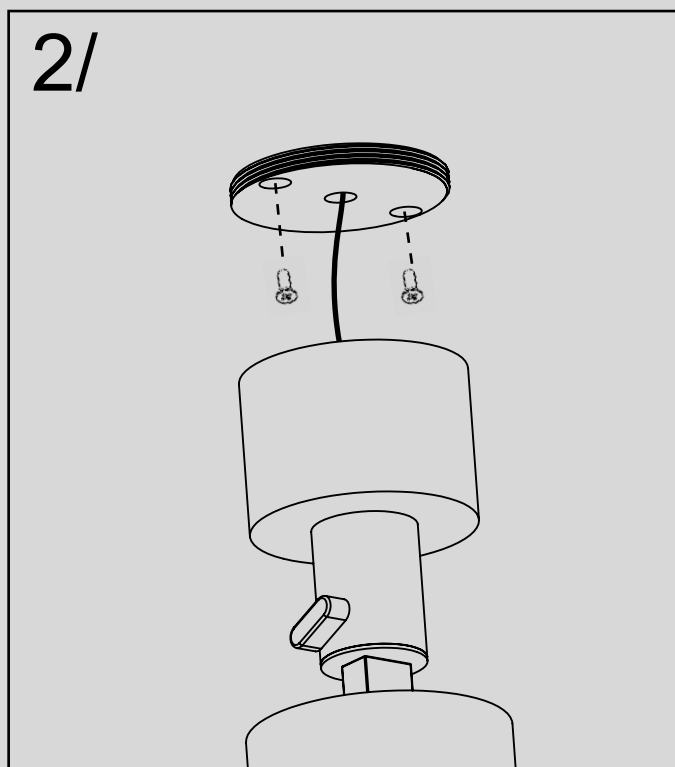
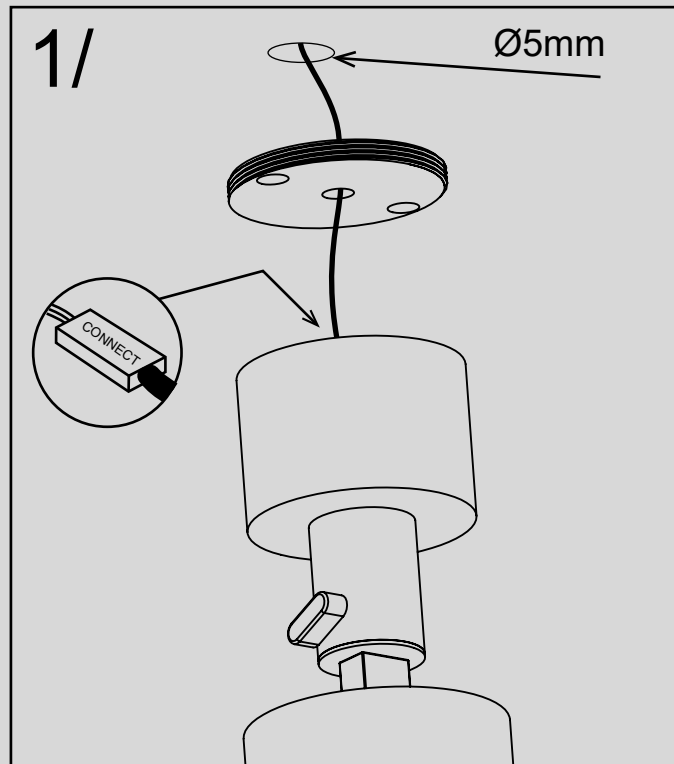
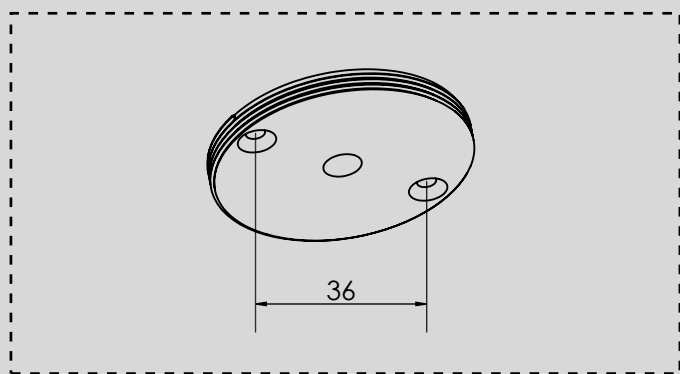


Do not install on plasterboard



SD000 - SD001 -SD002 - SD01L55 - SD008 -SD012 - SD015

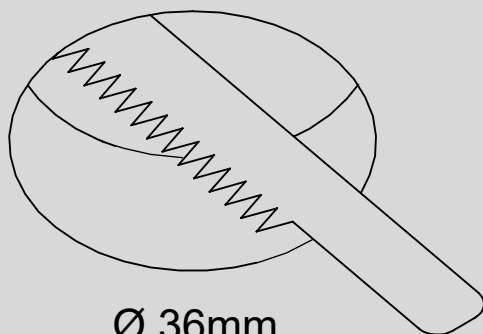
CEILING PEG INSTALLATION Ø50



SD000 - SD001 -SD002 - SD01L55 - SD008 -SD012 - SD015

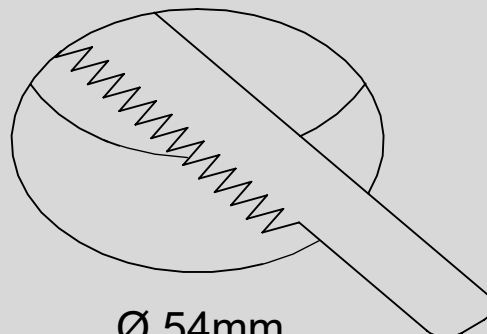
RECESSED PEG INSTALLATION Ø43 AND Ø60

1/



Ø 36mm

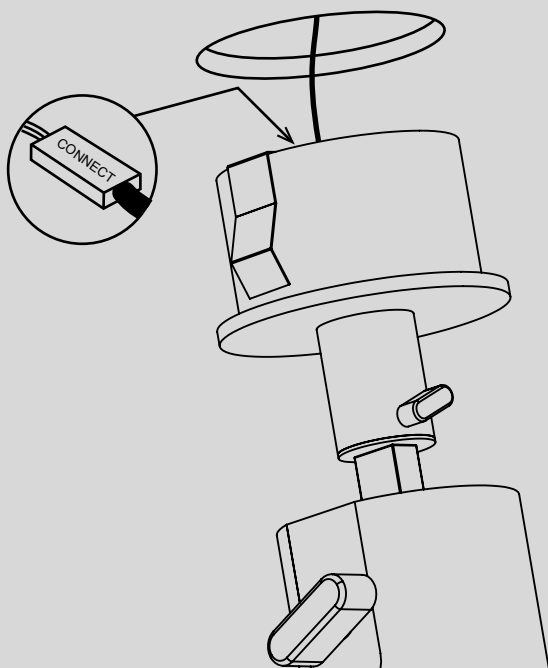
PEG Ø43



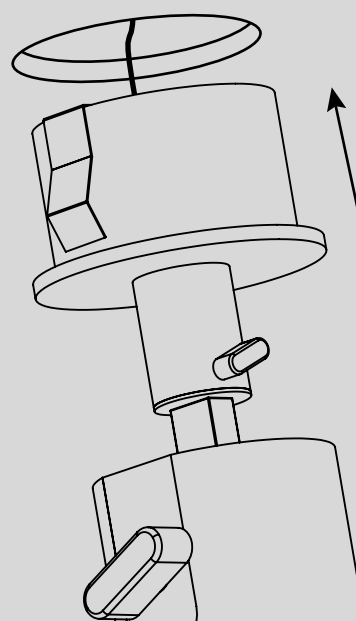
Ø 54mm

PEG Ø60

2/

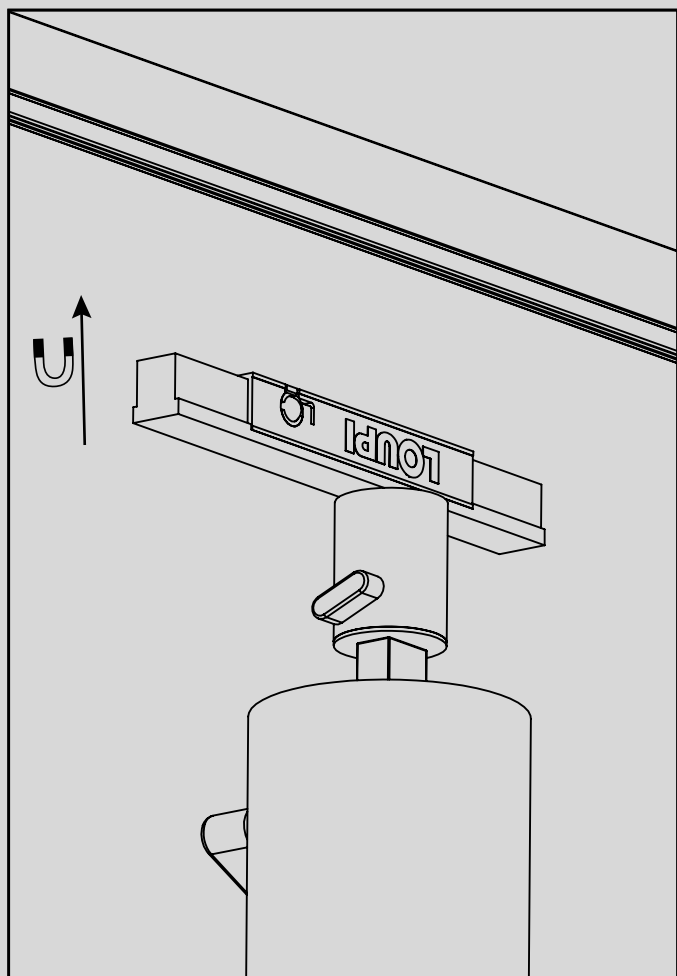


3/

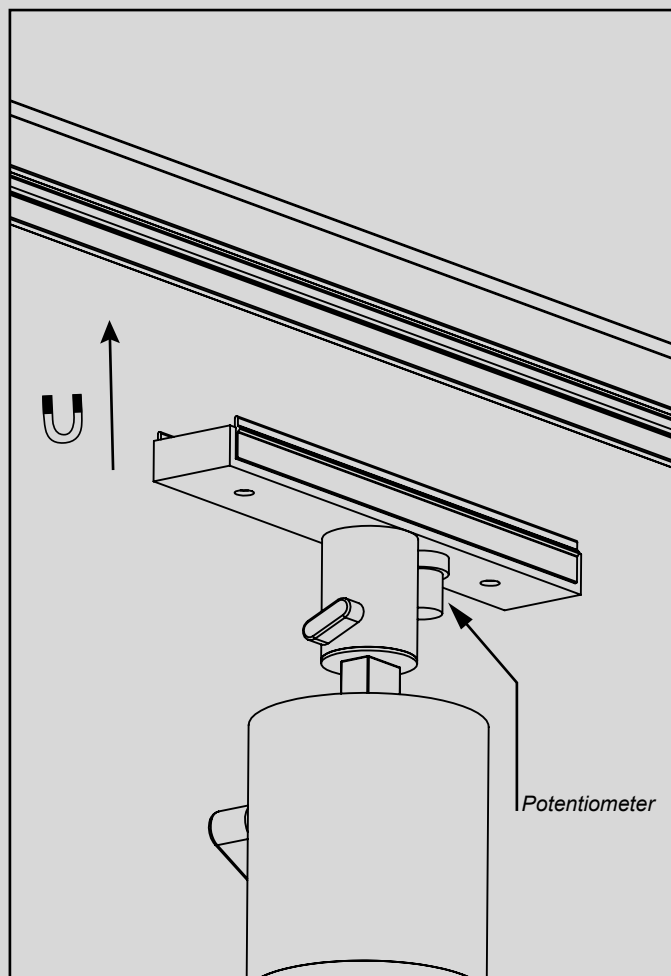


SD000 - SD001 -SD002 - SD01L55 - SD008 -SD012 - SD015

INSTALLATION ON TRACK



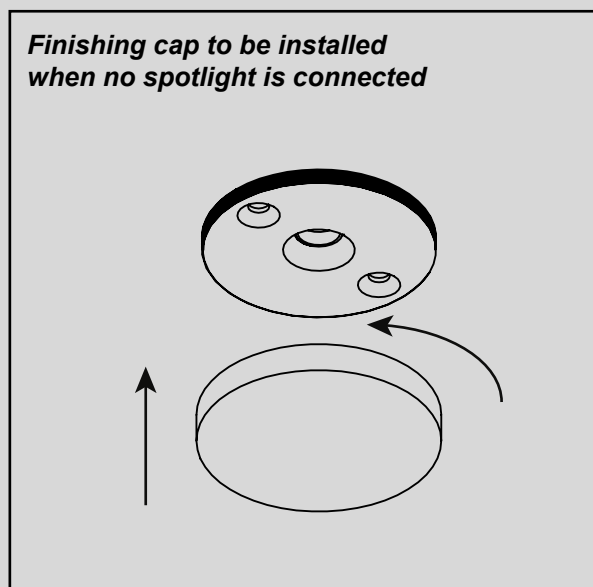
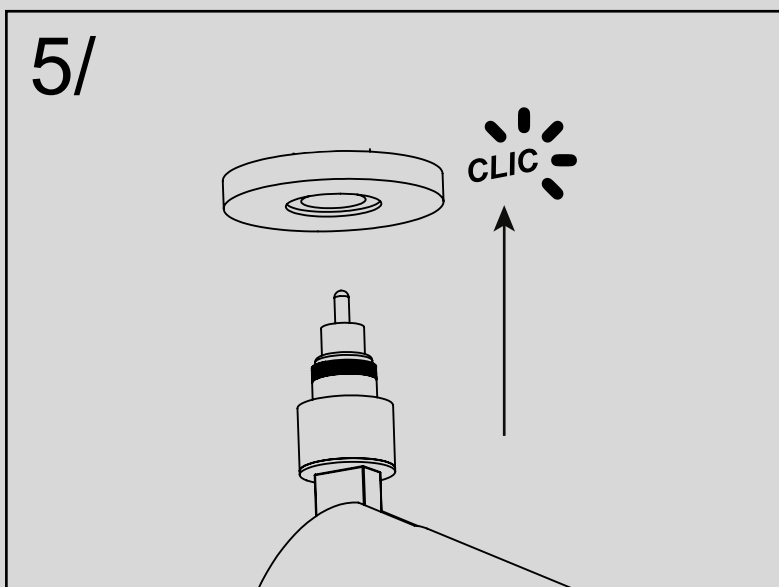
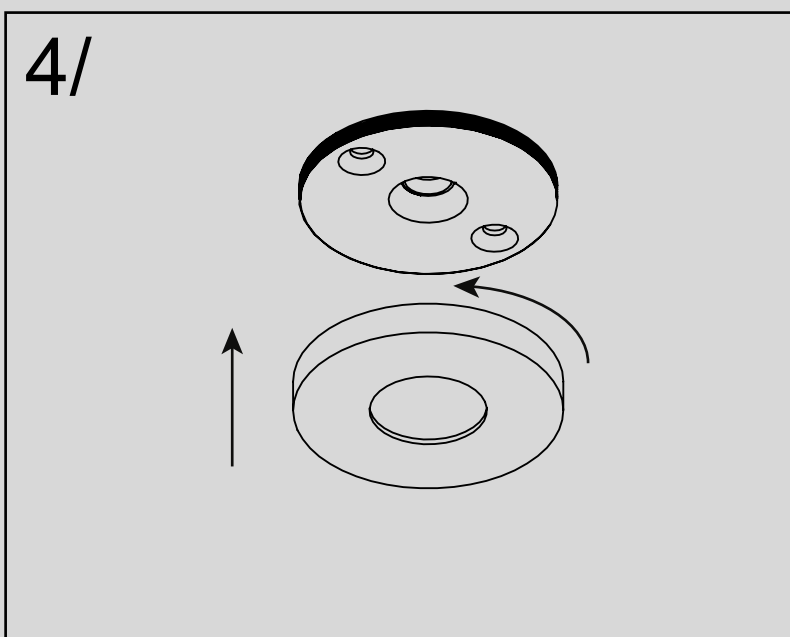
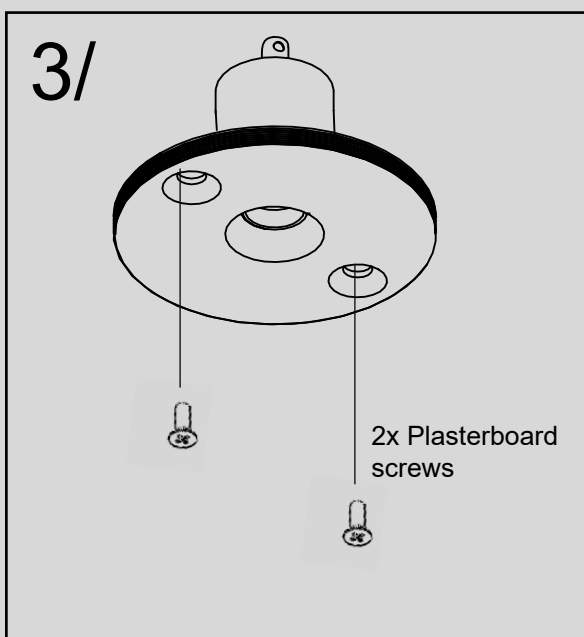
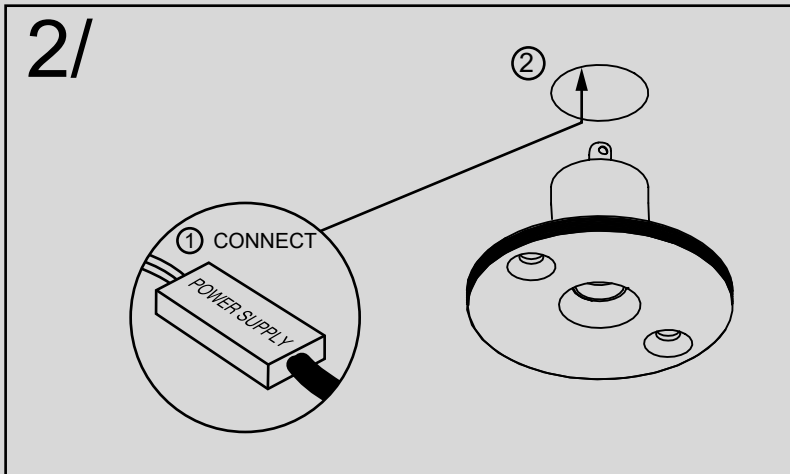
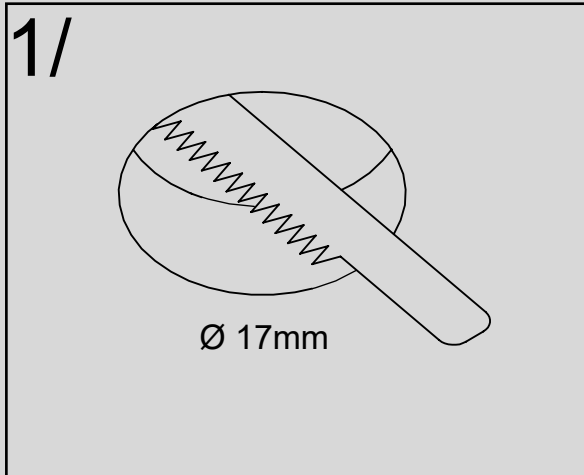
SLIM TRACK



PICCOLO TRACK

SD000 - SD001 -SD002 - SD01L55 - SD008 -SD012 - SD015

RCA TRIM INSTALLATION



SD000 - SD001 -SD002 - SD01L55 - SD008 -SD012 - SD015

RCA TRIMLESS INSTALLATION

