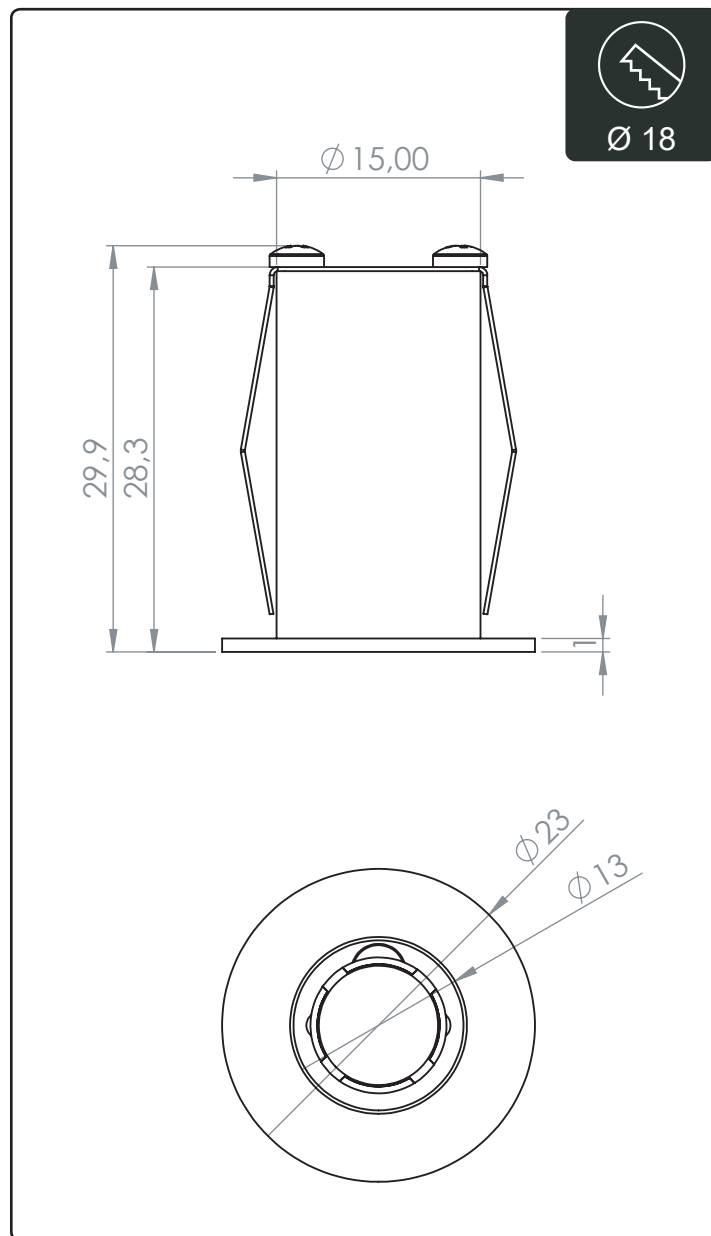
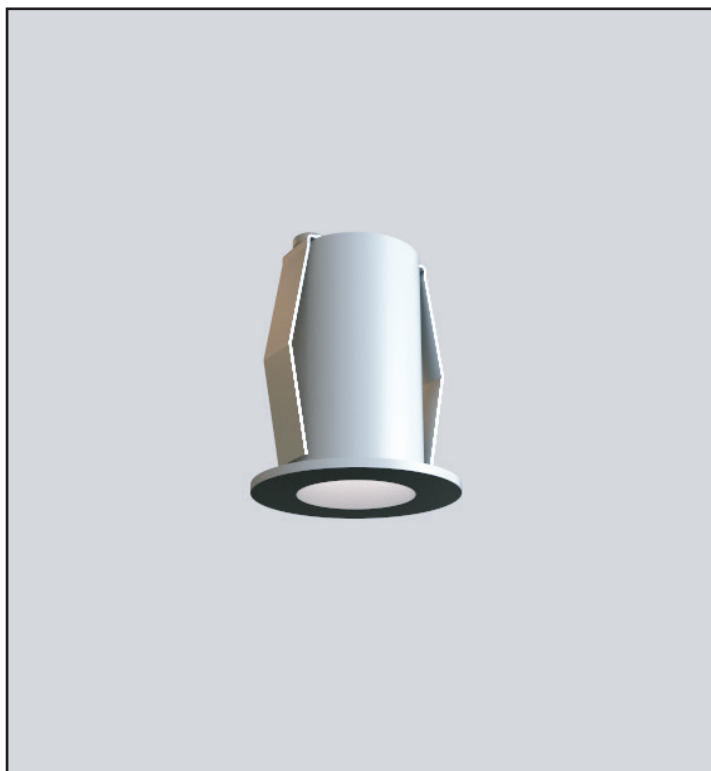


# Insert 00 fixe

REF : IN00-RF

RECESSED

EN



## ↓ PRODUCT DESCRIPTION

This square recessed mini LED, specifically designed for precision and accent lighting, delivers exceptional light quality with optimized efficiency and outstanding reliability. Its compact size and discreet design make it easy to integrate into display cases, presentation furniture, and small spaces, ensuring optimal illumination.

## ↓ OUTPUT

1.5W

## ↓ LUMENS

150lm

## ↓ CRI

IRC90

## ↓ POWER SUPPLY

500mA

## ↓ IP

IP 40

## ↓ DEGREES

16°

24°

40°

ELL

## ↓ DIMMING

1-10V



DMX

## ↓ USE



## ↓ TEMPÉRATURES DE COULEUR

2400K

2700K

3000K

3500K

4000K

5000K

## ↓ STANDARDS COMPLIANCE

EN 62471

EN 60598-1

EN 60598-2

CE

III

ETL

## ↓ COLOURS

BK

WH

CUSTOM

## ↓ SOURCES

- Luminous flux according to Bining : **150 lumens**;
- Colour temperature : de **2400K à 5000K**
- Service Range: 70 % of nominal flux after 50 000 hours
- Rendering Index: CRI 90

## ↓ OPTICAL

- PMMA acrylic lens, efficiency ~90%
- Degrees : **16°, 24°, 40° et Elliptique**

## ↓ ÉLECTRIQUES

- Power supply **500mA**
- Reversible polarity and hot plug
- Power consumption to 1.5W max, excluding supply
- Electrical Classification : Class III SELV device

## ↓ MECHANICAL

- Electronic circuit encased in a fire-proof polycarbonate housin
- Operating temperature : -5° +40°
- ROHS components
- Interior use only

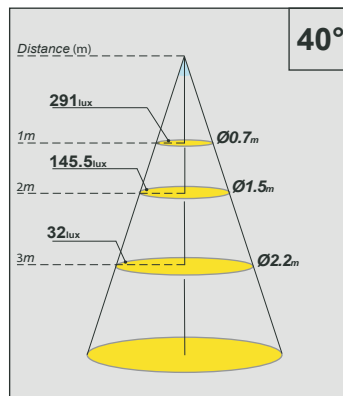
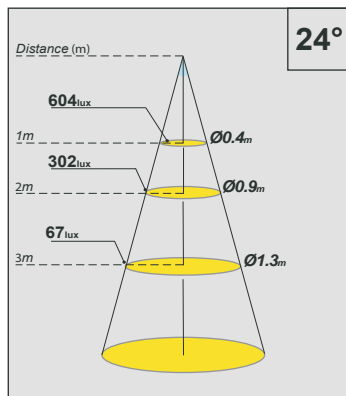
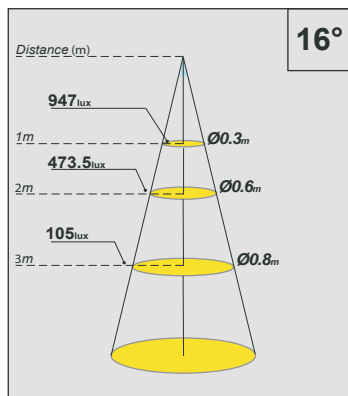
## ↓ SPECIFICITIES

- 3 years guarantee

## ↓ NOMENCLATURE

Product ref	IN00			
Specificities product		RF		
Degrees	16°			16
	24°			24
	40°			40
	Elliptic			ELL
Colour	Noir			BK
	Blanc			WH
	Custom			CU
Temperature	2400K			24
	2700K			27
	3000K			30
	3500K			35
	4000K			40
	5000K			50
REFERENCE	IN00	RF	40	BK 24

## ↓ BEAN ANGLE



# Insert 00 fixe

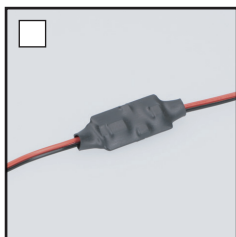
## Accessories

REF : IN00-RF

RECESSED

EN

### ↓ POWER SUPPLY CONNECTORS



**ACIN00COCIRCPXX500**  
Piccolo circuit with sheath  
heat-shrinkable